

### BEDIENUNGSANLEITUNG

Sicherheitsschränke nach EN 14470-1 & EN 14470-2

### USER MANUAL

Safety storage cabinets (EN 14470-1 & EN 14470-2)

### GEbruIKSAANWIJZING

Brandveiligheidsopslagkasten EN 14470-1 & EN 14470-2

### NOTICE D'UTILISATION

Amoires de sécurité d'après EN 14470-1 & EN 14470-2

### MANUAL DE INSTRUCCIONES

Armarios de seguridad EN 14470-1 & EN 14470-2

### ISTRUZIONI PER L'USO

Armadi di sicurezza EN 14470-1 & EN 14470-2

### INSTRUÇÕES DE SERVIÇO

Armários de segurança EN 14470-1 & 14470-2



#### 5 JAHRE GARANTIE\*

\* Bei Abschluss eines **BASICPlus-Vertrages**, mit fester 5-jähriger Laufzeit, genießen Sie 5 Jahre Garantie für Ihren Sicherheitsschrank.

#### 5 YEARS WARRANTY\*

*\* Upon conclusion of an asecos service and maintenance agreement (**BasicPlus tariff**) with a fixed term of 5 years, you will get a warranty extension for a maximum of 5 years for your safety storage cabinet.*

#### 10 JAHRE GARANTIE\*

\* Bei jährlicher Beauftragung des **Premium Q-Tarifs** verlängert sich die Garantie für Ihren Q-LINE Sicherheitsschrank auf bis zu 10 Jahre.

#### 10 YEARS WARRANTY\*

*\* Upon conclusion of an asecos service and maintenance agreement (**PREMIUM Q tariff**), you will get a warranty extension for up to 10 years for your Q-LINE safety storage cabinet.*



Weitere Informationen zu unseren Garantieleistungen finden Sie unter [www.asecos.com/service-leistungen](http://www.asecos.com/service-leistungen)

For detailed information about our warranties please visit [www.asecos.com/service-conditions](http://www.asecos.com/service-conditions)

# S LINE



## S-CLASSIC-15

S15.197.120  
S15.197.060  
S15.197.060.R

## S-CLASSIC-30

S30.197.120  
S30.197.060  
S30.197.060.R

## S-CLASSIC-60

S60.196.120  
S60.196.060  
S60.196.060.R

## S-CLASSIC-90

S90.196.120  
S90.196.120.MV  
S90.196.090  
S90.196.060  
S90.196.060.R  
S90.129.120  
S90.129.060  
S90.129.060.R  
S90.196.120.WDAS  
S90.196.120.MV.WDAS  
S90.196.090.WDAS  
S90.196.060.WDAS  
S90.196.060.WDASR  
S90.129.120.WDAS  
S90.129.060.WDAS  
S90.129.060.WDASR

## S-PEGASUS-90

S90.196.120.WDEU  
S90.196.090.WDEU  
S90.129.120.WDEU  
S90.196.120.WDAC  
S90.196.120.MV.WDAC  
S90.196.090.WDAC  
S90.196.060.WDAC  
S90.196.060.WDACR  
S90.129.120.WDAC  
S90.129.060.WDAC  
S90.129.060.WDACR

## S-PHOENIX-30

S90.197.120.FDAS  
S90.197.060.FDAS  
S90.197.060.FDASR

## S-PHOENIX-90

S90.196.120.FDAS  
S90.196.120.MV.FDAS  
S90.196.090.FDAS  
S90.196.060.FDAS  
S90.196.060.FDASR  
S90.196.060.075.FDAS  
S90.196.060.075.FDASR

## S-PHOENIX Vol.2-90

S90.196.120.FDEU  
S90.196.120.FDAC  
S90.196.120.MV.FDAC  
S90.196.060.FDAC  
S90.196.060.FDACR  
S90.196.060.075.FDAC  
S90.196.060.075.FDACR

## S-PHOENIX touchless-90

S90.196.120.FDAO  
S90.196.060.FDAO  
S90.196.060.075.FDAO

# Q LINE



## Q-CLASSIC-15

Q15.195.116  
Q15.195.056  
Q15.195.056.R

## Q-CLASSIC-30

Q30.195.116  
Q30.195.086  
Q30.195.056  
Q30.195.056.R

## Q-CLASSIC-90

Q90.195.120  
Q90.195.120.MV  
Q90.195.120.MM  
Q90.195.090  
Q90.195.060  
Q90.195.060.R

## Q-PEGASUS-90

Q90.195.120.WDAC  
Q90.195.090.WDAC  
Q90.195.060.WDAC  
Q90.195.060.WDACR

## Q-PHOENIX-90

Q90.195.120.FD

# XL LINE



## XL-CLASSIC-90

XL90.222.155.WDAS  
XL90.222.110.WDAS

# K LINE



## K-PHOENIX-30

K30.197.120.MV.FWAS  
K30.197.120.MC.FWAS

## K-CLASSIC-90

K90.196.120.MV.WDAS  
K90.196.060.MH.WDAS

## K-PHOENIX-90

K90.196.120.MF.FWAS  
K90.196.120.MC.FWAS  
K90.196.120.MV.FDAS  
K90.196.060.MH.FDAS

## K-PHOENIX Vol. 2-90

K90.196.120.MF.FWAC  
K90.196.120.MC.FWDAC

## K-UB-90

K90.060.140.050.UB.ST  
K90.060.140.050.UB.3T  
K90.060.110.050.UB.ST  
K90.060.110.050.UB.2T

# G LINE



## G-CLASSIC-30

G30.205.140  
G30.205.120  
G30.205.090  
G30.205.060  
G30.205.060.R

## G-ULTIMATE-90

G90.205.140  
G90.205.120  
G90.205.090  
G90.205.060  
G90.205.060.R  
G90.205.060.2F  
G90.205.060.2F.R  
G90.145.060  
G90.145.060.R

# UB LINE



## UB-T-30

UB30.060.110.2T

## UB-S-30

UB30.060.140.2S  
UB30.060.110.2S  
UB30.060.110.S

## UB-S-90K

UB90.060.110.KU.S

## UB-S-90

UB90.060.059.050.S  
UB90.060.059.PZ.S  
UB90.060.059.S  
UB90.060.059.S:0103  
UB90.060.089.050.S  
UB90.060.089.PZ.S  
UB90.060.089.S  
UB90.060.089.S:0103  
UB90.060.110.050.2S  
UB90.060.110.050.S  
UB90.060.110.2S  
UB90.060.110.2S:0103  
UB90.060.110.PZ.2S  
UB90.060.110.S  
UB90.060.110.S:0103  
UB90.060.140.050.2S  
UB90.060.140.2S  
UB90.060.140.2S:0103  
UB90.060.140.PZ.2S  
UB90.066.110.S  
UB90.068.059.S:0101  
UB90.068.089.S  
UB90.068.089.S:0101  
UB90.068.110.2S  
UB90.068.110.2S:0101  
UB90.068.140.2S:0101  
UB90.080.059.060.S  
UB90.080.110.060.2S

## UB-T-90

UB90.060.059.050.T  
UB90.060.110.2T  
UB90.060.110.2T  
UB90.068.110.2T:0101  
UB90.068.110.2T  
UB90.060.110.2T:0103  
UB90.080.110.075.2T  
UB90.080.110.075.2T:0301  
UB90.060.110.050.2T:0701  
UB90.060.110.050.2T  
UB90.060.089.2T  
UB90.060.089.050.2T  
UB90.060.059.T:0601  
UB90.060.059.T:0011  
UB90.060.059.T  
UB90.060.059.PZ.T  
UB90.060.059.T:0103  
UB90.052.059.TR  
UB90.060.059.TR  
UB90.060.059.PZ.TR  
UB90.060.059.TR:0103  
UB90.060.059.050.TR  
UB90.080.059.060.T  
UB90.080.059.060.TR

## UB-ST-90

UB90.060.110.050.ST  
UB90.060.110.ST  
UB90.060.110.ST:0103  
UB90.060.140.050.S2T  
UB90.060.140.S2T  
UB90.060.140.S2T:0103  
UB90.067.140.S2T  
UB90.068.140.S2T:0101



**asecos GmbH**  
Abt. Kundendienst  
Weiherfeldsiedlung 16-18  
**D-63584 Gründau**  
Fax: +49 60 51 – 92 20-10

## **IHRE PERSÖNLICHE DOKUMENTATION ZUM asecos-SICHERHEITSSCHRANK**

Sehr geehrte Kundin, sehr geehrter Kunde,

mit dem Kauf Ihres asecos-Sicherheitschranks haben Sie eine entscheidende Investition für die Sicherheit in Ihrem Haus getätigt. Vor Ihnen steht ein innovatives Produkt aus hochwertigen Materialien, das höchste Qualität garantiert.

Sicherheitschränke aus dem Hause asecos verfügen über eine lückenlose Zulassungs-Dokumentation. Wir archivieren Ihre Zulassungsdokumente jedes einzelnen Schrankes für Sie, bis Sie diese im Bedarfsfall (z. B. einer Betriebsbegehung o. ä.) mit diesem Formular von uns anfordern.

Dazu einfach dieses Formular heraustrennen/kopieren und mit Ihrer Adresse und der Seriennummer des Schrankes versehen per Fax zurück an uns.

Mit freundlichen Grüßen

asecos GmbH

## **YOUR PERSONAL DOCUMENTATION TO THE asecos SAFETY CABINET**

Dear Customer,

you have made a decisive investment in safety for your company by purchasing this asecos safety storage cabinet. You now own an innovative product made of top-quality materials guaranteeing the highest quality standards.

asecos safety storage cabinets have complete authorisation documents. We archive the authorisation documents for every individual cabinet, keeping them ready for you should you ever need them (e.g. for a works inspection or similar). Simply request them using this form.

Tear off or copy that page and return to us by fax with your address and serial number of the cabinet on it.

Yours sincerely

asecos GmbH

<b>Firma</b> • company	
<b>Abteilung</b> • department	
<b>Name</b> • name	
<b>Straße</b> • street	
<b>PLZ</b> • postal code	
<b>Ort</b> • city	
<b>Schrank</b> • cabinet <b>Seriennummer(n)</b> • serial number(s)	

# OPERATING INSTRUCTIONS

Dear customer,

Thank you very much for purchasing a safety storage cabinet from our company, with which you have made a decisive investment in the safety within your company.

Our safety storage cabinets make the storage of hazardous materials at the workplace safe and convenient for you.

Please read these operating instructions very carefully. Get to know the advantages and simple operability of our safety storage cabinets in detail.

This simplifies the daily handling of hazardous materials for you.

Many thanks.

Your asecos team

EN

---

## TABLE OF CONTENTS

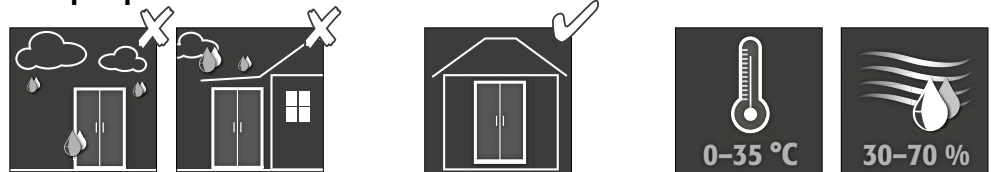
<b>1. NOTES ▪ GUIDELINES ▪ GUARANTEE</b> .....	<b>6</b>
1.1. General safety notes .....	6
1.2. Guarantee .....	6
1.3. Cabinet details .....	6
<b>2. TRANSPORT</b> .....	<b>7</b>
<b>3. ERECTION ▪ COMMISSIONING ▪ FUNCTION</b> .....	<b>8</b>
3.1. Alignment of the cabinets .....	8
3.2. Commissioning .....	10
3.3. Anti-tilt device .....	10
<b>4. CLOSING MECHANISMS</b> .....	<b>10</b>
4.1. Types of closing .....	10
4.2. Automatic door closing system: TSA .....	11
4.3. Locking .....	12
<b>5. INTERIOR FITTINGS: S-LINE ▪ Q-LINE ▪ K-LINE ▪ XL-LINE ▪ UB-LINE</b> .....	<b>13</b>
5.1. Spill containment sump .....	13
5.2. Drawers, second storage level .....	13
5.3. tray shelves (height-adjustable) .....	14
5.4. Shelves (height-adjustable) .....	14
<b>6. INTERIOR FITTINGS: G-CLASSIC-30 ▪ G-ULTIMATE-90</b> .....	<b>14</b>
6.1. Mounting rails .....	14
6.2. Cylinder retainer .....	14
6.3. Rolling ramp .....	15
6.4. Pipe / cable leadthrough .....	15
6.5. Ermeto screw connection .....	15
6.6. Optional equipment: G-CLASSIC-30 ▪ G-ULTIMATE-90 .....	16
<b>7. STORAGE</b> .....	<b>16</b>
<b>8. EARTHING</b> .....	<b>16</b>
<b>9. VENTILATION</b> .....	<b>17</b>
9.1. General facts .....	17
9.2. S-LINE ▪ Q-LINE ▪ K-LINE ▪ XL-LINE ▪ UB-LINE .....	17
9.3. G-CLASSIC-30 ▪ G-ULTIMATE-90 .....	18
9.4. Montage of Fire protection sleeve .....	18
<b>10. FIRE ▪ DISPOSAL</b> .....	<b>18</b>
10.1. Opening the cabinet after the fire .....	18
10.2. Disposal .....	19
<b>11. SAFETY CHECKS</b> .....	<b>19</b>

# 1. NOTES - GUIDELINES - GUARANTEE

## 1.1. GENERAL SAFETY NOTES

- Observe applicable statutes and regulations, and the notes in these operating instructions, when handling hazardous materials.
- Work on the electrical system is to be carried out only with the power turned off and only by qualified electricians – refer here to the regulations of the local electricity supply company.
- The on-site installation conditions are to be observed (e.g. bolting the cabinets to the building).
- The instructions of the supervisory engineering department must be followed.
- Observe accident prevention regulations and workplace ordinance.
- Ensure that the necessary safety checks are only carried out by authorised staff using original spare parts.
- Only use the cabinet after having been properly instructed; access is to be forbidden to unauthorised persons.
- The pivoting area of the doors is to be kept free at all times; doors/drawers are to be kept closed.
- By assigning trained/authorised technical personnel you can prevent the malfunctions, damage and corrosion damage that result from inappropriate transport.
- Observe the upper limits for stored quantities, loading etc.
- Containers with a volume larger than that of the spill containment sump may not be placed inside the cabinet; spilt hazardous materials are to be collected immediately and removed.
- Vessels containing aggressive chemicals (acids/alkalis) are to be kept in special cabinets for acids and alkalis or on shelves for acids and alkalis as well as in cabinets with metal-free interior equipment.
- Sufficient technical ventilation must be ensured, pay attention to the notices on connection to an extraction system under point 9.1!
- Before storing such materials, check that the cabinet's surface is resistant to the chemicals.
- The storage of corrosive liquids or gases can affect the function of the shut-off equipment for the air supply and exhaust.
- Before the initial commissioning, the safety storage cabinet is to be examined by the user for possible damage. **(See point 3.2)**

### Set-up requirements



## 1.2. GUARANTEE

The guarantee for this product is agreed between you (the customer) and your dealer (the seller). As the manufacturer, asecos guarantees the products listed in the operating instructions for a period of 24 months from the date of delivery.

All model safety equipment are subject to a compulsory annual inspection by specialised staff authorised by the manufacturer. Otherwise the customer's guarantee claim against the manufacturer expires.



## 1.3. CABINET DETAILS

**A complete overview of the models can be found at the start of the operating instructions.**

Cabinet data	➔ Logbook (included with the cabinet)
Technical drawing	➔ Appendix 1
Technical data	➔ Table in Appendix 2

### S-LINE • Q-LINE • UB-LINE • XL-LINE • K-LINE

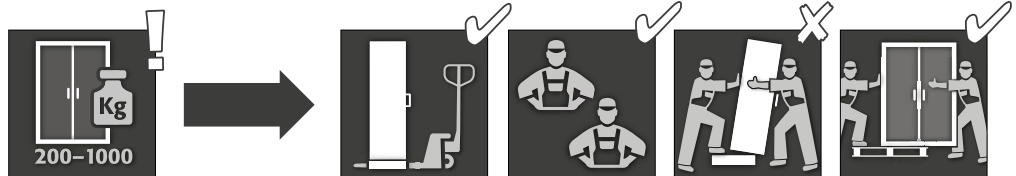
These models are tested, certified and marked according to requirements of BS EN 14470-1. They are intended for the storage of combustible liquids in work rooms in accordance with the valid national regulations.

### G-CLASSIC-30 • G-ULTIMATE-90

These models are tested, certified and marked according to requirements of BS EN 14470-2. They are intended for the storage and emptying of gas cylinders in buildings in accordance with the valid national regulations.

## 2. TRANSPORT

### GENERAL



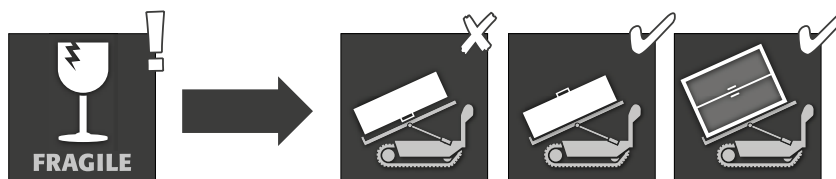
#### CAUTION:

Transport the cabinet in an upright position on a pallet truck, tied and secured against slipping, until the final place of installation is reached.

The transport locks in the door joints may only be removed directly at the place of installation! Inappropriate transport can lead to concealed damage to the fire protection insulation!

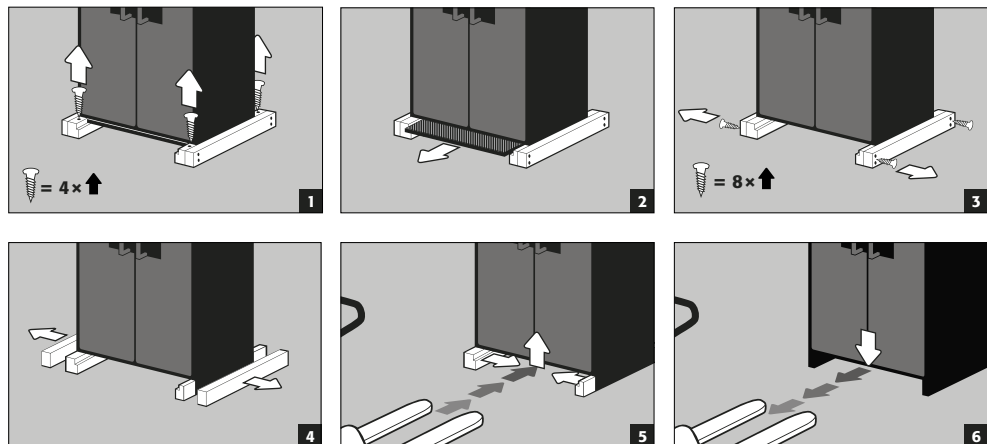
We can only guarantee the necessary quality if the cabinet is transported to the place of its use by our specially trained staff.

#### Tilting the cabinet (may only be done without jolts)



### Q-LINE

#### Dismantling of the transport packaging



#### ATTENTION

##### Q-LINE type 90, width 600 mm

The clearance drive-in width of the base is 520 mm.

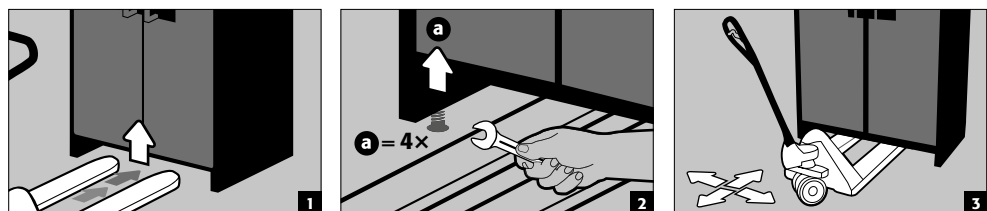
##### Q-LINE type 15/30, width 560 mm

The clearance drive-in width of the base is 406 mm.

You must observe this when selecting a pallet truck! Appliances with a carrying width larger than the drive-in width may not be used.

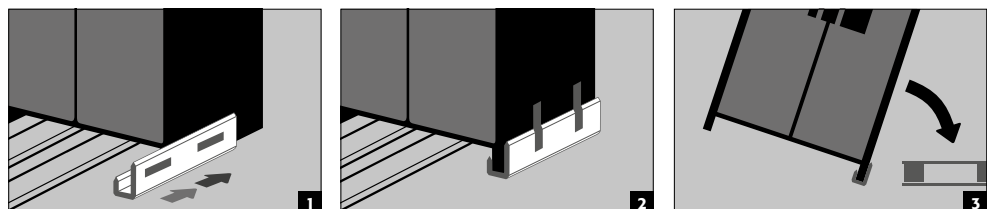
#### In-plant transport

- is also possible without transport locks (inserted as standard in the door joints)



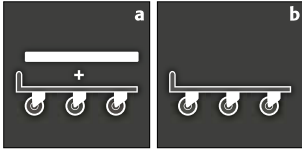
#### Tilting onto the side wall

- is only possible with the optionally available tilting bracket (order no. HFV.27665)

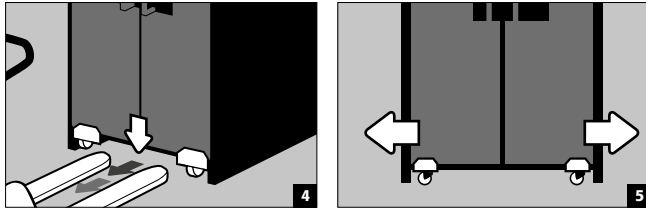
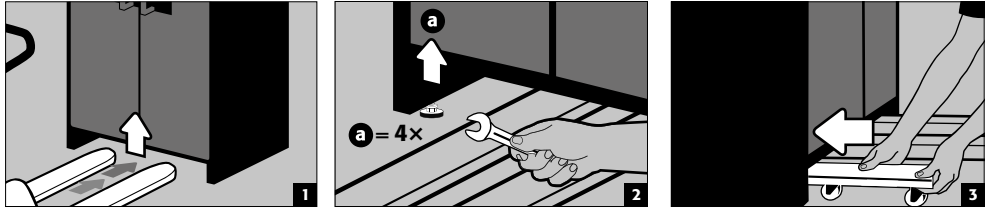


**Q-Mover**

• Order no. HFI.23526, available from your authorised dealer

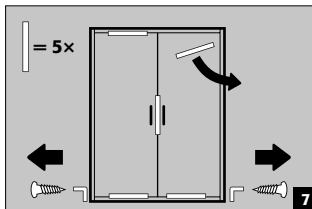
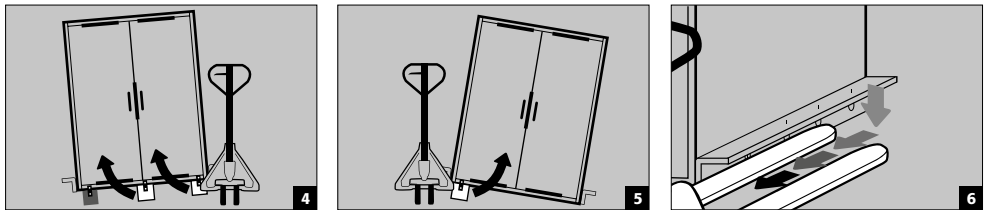
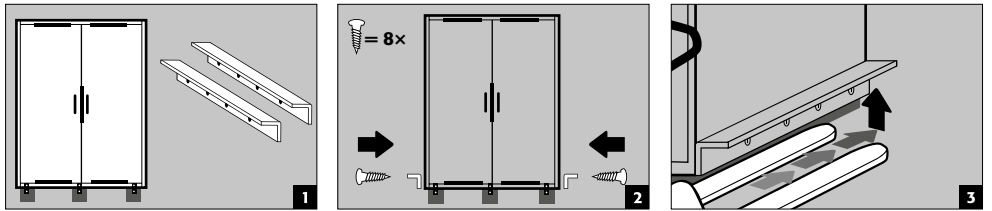


**a: upright transport**  
**b: upright transport through standard doors**  
 (headroom 1986 ± 2mm)



**CAUTION:**  
 Written notification of any damage to the cabinet must be given immediately!

**XL-LINE**

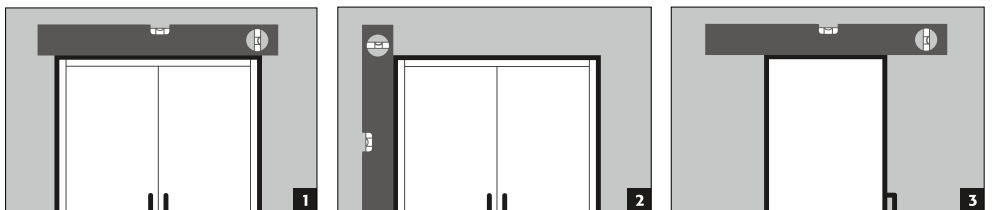
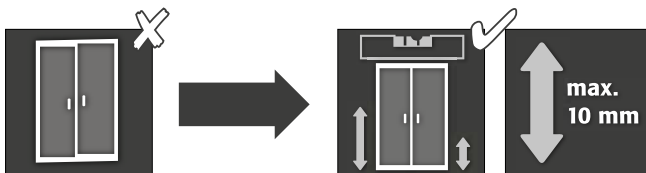


**CAUTION:**  
 Afterwards, lower the cabinet slowly and without jolts in order to prevent damage!  
 Remove the transport locks from the door joints after erection!

**3. ERECTION - COMMISSIONING - FUNCTION**

**3.1. ALIGNMENT OF THE CABINETS**

**GENERAL**





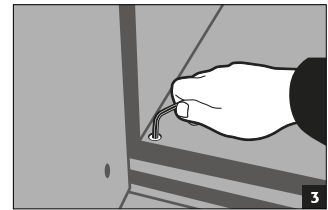
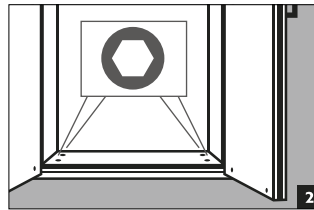
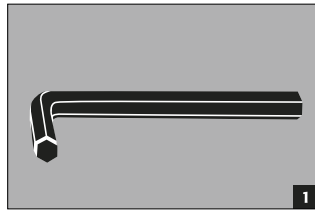


**CAUTION:**

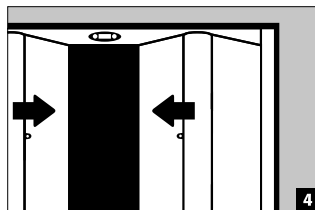
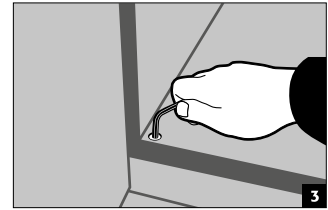
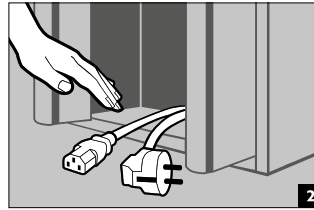
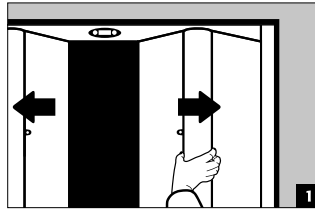
Door elements must not scrape against the fire prevention seals in the fold of the door when opening and closing! Doors with an automatic closing mechanism must close automatically from every position and the lock must be able to lock!

The distance between the door and the floor can be reduced to less than 40 mm. The door panels required for this can be obtained on enquiry from asecos service.

**S-LINE 60/90**  
**K-PHOENIX-30/-90/VOL. 2-90**  
**K-CLASSIC-90**  
**XL-LINE**  
**G-CLASSIC-30**  
**G-ULTIMATE-90**

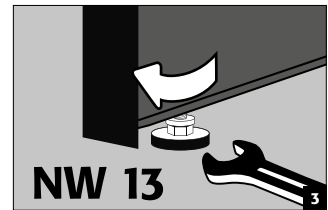
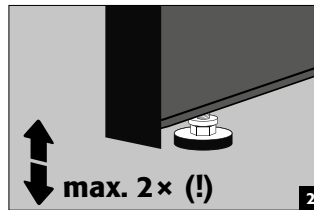
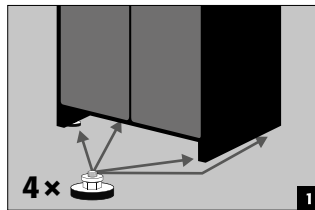


**S-PHOENIX touchless-90**

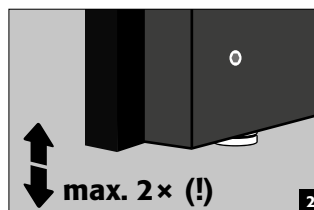
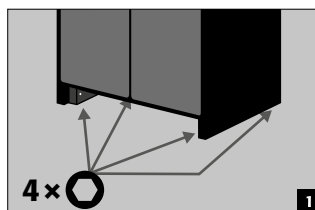


- 1 Unlock the cabinet and open it manually
- 2 Remove the power cable from the interior
- 3 Align the cabinet
- 4 Allow the cabinet to close automatically

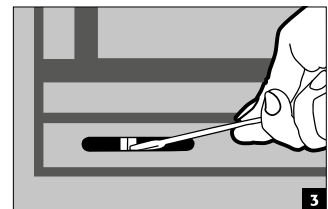
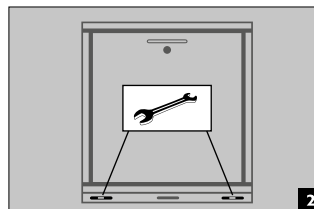
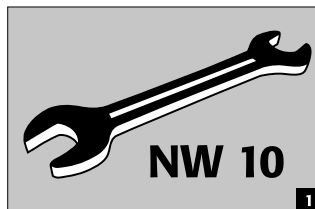
**Q-CLASSIC-90**  
**Q-PEGASUS-90**  
**Q-PHOENIX-90**



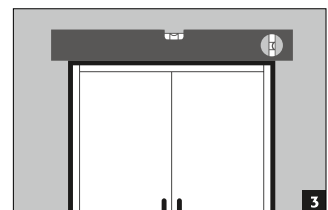
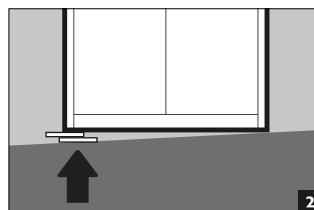
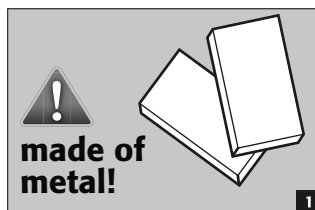
**Q-CLASSIC-15/30**  
with adjusting aids in plinth



Mit Sockel:  
**UB-LINE**  
**K-UB-90**



**S-PHOENIX-30**  
**Q-CLASSIC-15/30** without  
adjusting aids  
without plinth: **UB-LINE, K-UB-90**



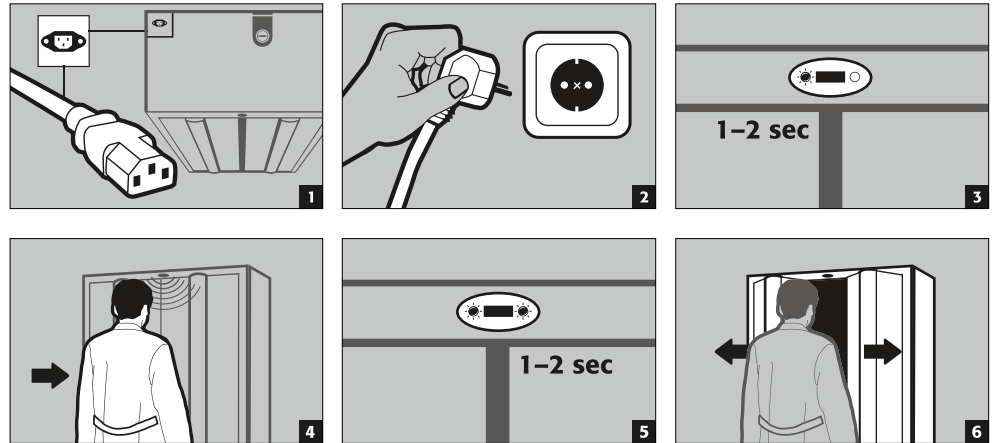
### 3.2. COMMISSIONING

- Before putting into operation for the first time, the user must carry out an examination of the safety storage cabinet for possible damage, such as defective or loose sealing elements, correct alignment and perfect functioning of the door elements.
- Use the cabinet and accessories only if they are in an orderly condition.

S-PHOENIX touchless-90

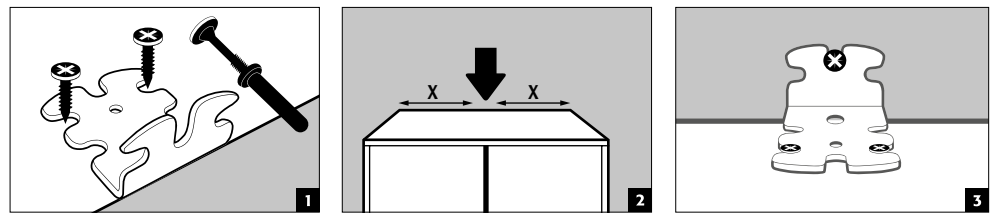
#### Connection to the power supply

- **Accessories:** 5 m low-temperature IEC power cable including earthed mains plug



### 3.3. ANTI-TILT DEVICE

Q-CLASSIC-15  
Q-CLASSIC-30

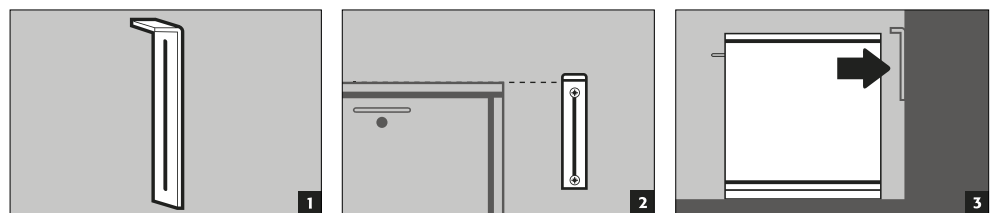


#### CAUTION:

If these model groups are equipped with drawers, they must be fastened to the wall using the anti-tilt device supplied.

#### Anti-tilt bracket (EP.ML.6323:


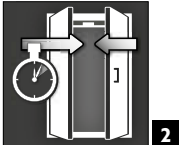

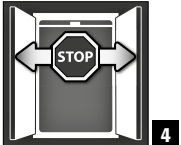
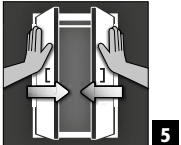
Optional to prevent tilting with maximum load and fully extended drawers



## 4. CLOSING MECHANISMS

### 4.1. TYPES OF CLOSING

- 1 Thermal release:** in the case of fire the doors close automatically (even if latched)
- 2 Automatic door closing system TSA**
- 3 Doors permanently self-closing**
- 4 Doors with arrest system**
- 5 Doors closable only by hand**

										
<b>Q-LINE</b>										
Q-CLASSIC-15 / -30	✓									
Q-CLASSIC-90	✓									
Q-PEGASUS-90	✓	✓	✓	✓						
<b>S-LINE</b>										
S-CLASSIC-15 / -30 / -60 / -90	✓		✓	<b>optional</b>						
S-PHOENIX-30	✓		✓	✓						
S-PHOENIX-90	✓		✓	✓						
S-PEGASUS-90 / S-PHOENIX Vol. 2-90	✓	✓	✓	✓						
S-PHOENIX touchless-90	✓	✓		✓						
<b>K-LINE</b>	VBF- compartement	acid/base compartement	VBF- compartement	acid/base compartement	VBF- compartement	acid/base compartement	VBF- compartement	acid/base compartement	VBF- compartement	acid/base compartement
K-PHOENIX-30	✓	✓			✓		✓			
K-CLASSIC-90	✓	✓			✓	✓	✓	✓		
K-PHOENIX-90	✓				✓		✓			✓
K90.196.120(060).MV(MH).FDAS	✓	✓			✓	✓	✓	✓		
K-PHOENIX Vol. 2-90	✓		✓		✓		✓			✓
K-UB-90	✓									✓
<b>UB-LINE</b>										
UB30.060.110.2TAS		✓						✓		
ALL MODELS		✓								
<b>XL-LINE</b>										
ALL MODELS		✓			✓		✓			
<b>G-LINE</b>										
G-CLASSIC-30 / G-ULTIMATE-90										✓



**Q-CLASSIC-15/-30/-90 • UB-LINE • K-UB-90 (VBF-compartement):**

If the doors not longer latch in any position, then the fusible link of the thermal release has tripped. The cabinet is to be returned to its delivery condition immediately in order to avoid malfunctions.

**4.2. AUTOMATIC DOOR CLOSING SYSTEM: TSA**



**CAUTION:**

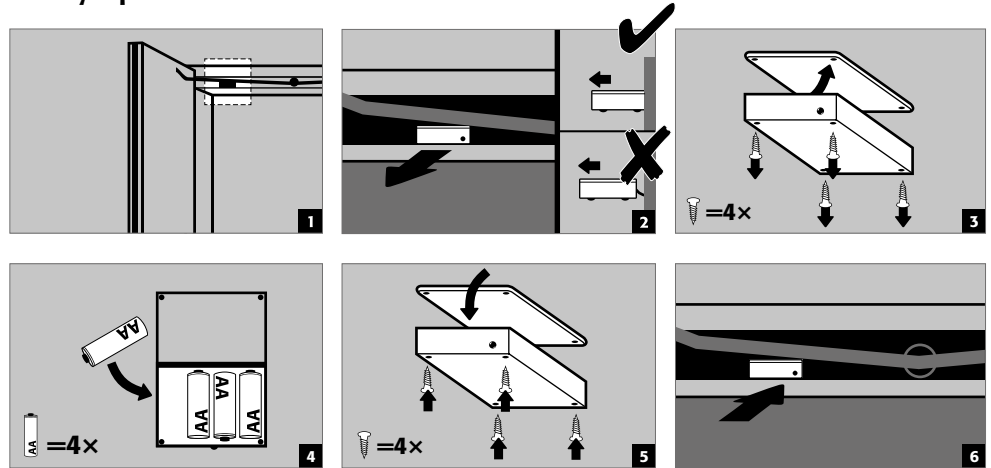
The doors close automatically. The time interval until the doors close can be set individually by means of a jumper (preset: 60 seconds).

**Do not push the doors to close by hand, since this can lead to damage to the mechanism!**

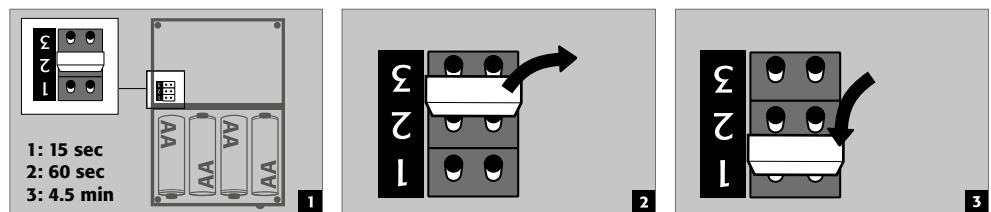
**Sequence**



### Battery replacement



### Changing the closing times with the aid of the jumper

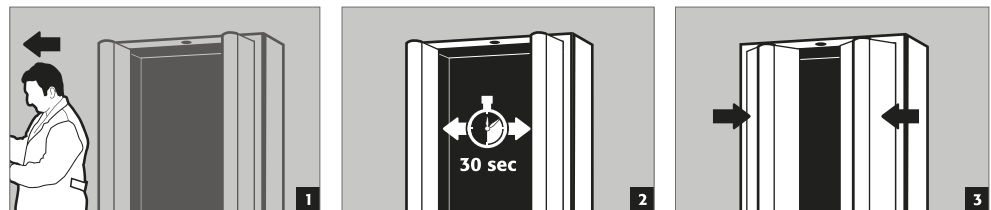


**CAUTION:**

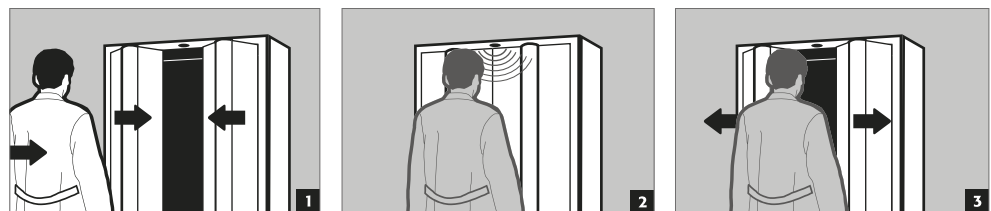
The electrical cable on the housing may not come into contact with the locking linkage of the cabinet!

### S-PHOENIX touchless-90

#### Closing process



#### Entering the sensor range during the closing movement



**CAUTION:**

The closing of the doors takes place purely mechanically and only with the very low forces of the closing spring. Reaching inside the cabinet during the closing process is therefore harmless and the risk of injury is ruled out.

### 4.3. LOCKING



**CAUTION:**

Applicable for all models: The owner/user must ensure that all doors and drawers are kept closed whenever the contents of the cabinet are not being accessed! In general it must be noted that the cabinets do not possess an emergency unlocking facility. This means that persons trapped inside the cabinet cannot free themselves!

	SAFETY CYLINDER		CYLINDER LOCK (suitable for master key systems)	
		with locking status indicator		with locking status indicator
<b>Q-LINE</b>			Q-CLASSIC-15/-30	Q-CLASSIC-90 Q-PEGASUS-90
<b>S-LINE</b>	S-CLASSIC-15/30 S-PHOENIX-30		S-CLASSIC-60/90 S-PEGASUS-90 S-PHOENIX-90/Vol. 2-90/touchless-90	
<b>K-LINE</b>	K-PHOENIX-30 K-PHOENIX-90 (acid/base-comp.): K90.196.120.MF.FWAS K90.196.120.MC.FWAS K-PHOENIX Vol. 2-90 (a/b-comp.)	K-UB-90	K-CLASSIC-90 K-PHOENIX-90 : K90.196.120.MV.FDAS K90.196.060.MH.FDAS K90.196.120.MF.FWAS (Fire-comp.) K90.196.120.MC.FWAS (Fire-comp.) K-PHOENIX Vol. 2-90 (Fire-comp.)	
<b>UB-LINE</b>		ALL MODELS		
<b>XL-LINE</b>	XL-CLASSIC-90			
<b>G-LINE</b>			G-CLASSIC-30 • G-ULTIMATE-90	

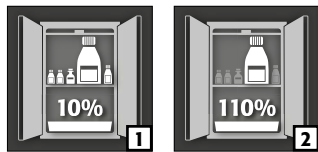
## 5. INTERIOR FITTINGS: S-LINE • Q-LINE • K-LINE • XL-LINE • UB-LINE



### CAUTION:

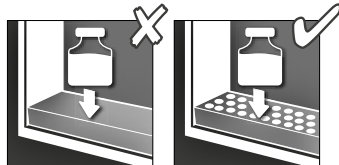
Loose parts (e.g. insertable sumps) must always be fully installed/inserted in order to ensure secure closing of the cabinet doors in case of fire.

### 5.1. SPILL CONTAINMENT SUMP



According to EN 14470-1: A spill containment sump must be installed below the lowest storage level. The spill containment sump must be able to hold a minimum volume of 10 % of all the containers stored in the cabinet **1** or at least 110 % of the volume of the largest single container **2**, whichever of these volumes is larger.

Use as a storage surface in case of cabinets with several storage levels:



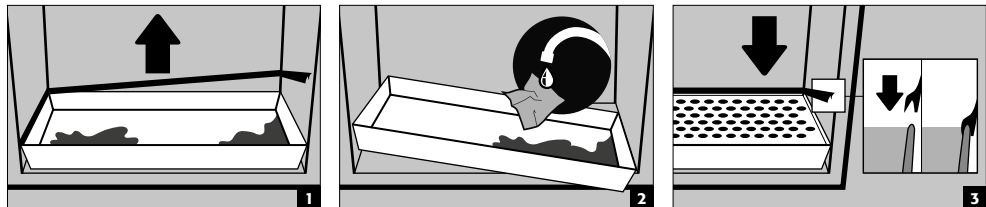
### CAUTION:

Use as a storage surface is possible only in conjunction with a perforated metal plate insert



### Leaks:

- Liquid in the sump is to be collected using suitable means.
- The choice of means is your own responsibility.



### 5.2. DRAWERS, SECOND STORAGE LEVEL

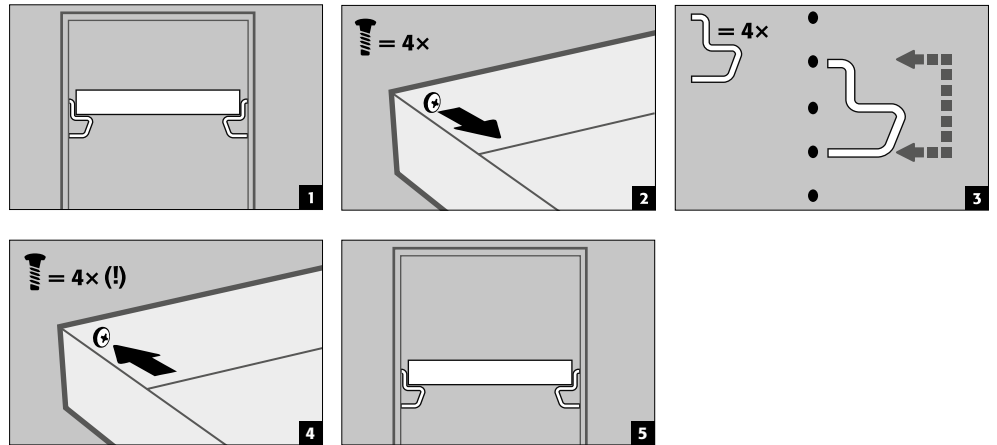
- All drawers have been designed in such a way that they are permanently drawn in the cabinet or automatically drawn into the cabinet in the case of fire, making it possible to close the cabinet doors.



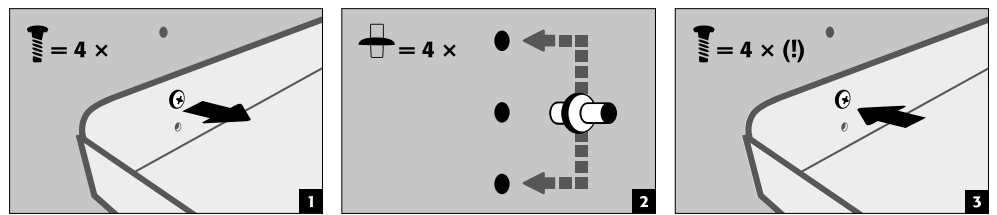
### CAUTION:

The height of the drawers in safety storage cabinets may be adjusted only by authorised asecos employees, since the safe retraction of the drawers in case of fire must be guaranteed!

### 5.3. TRAY SHELVES (HEIGHT-ADJUSTABLE)



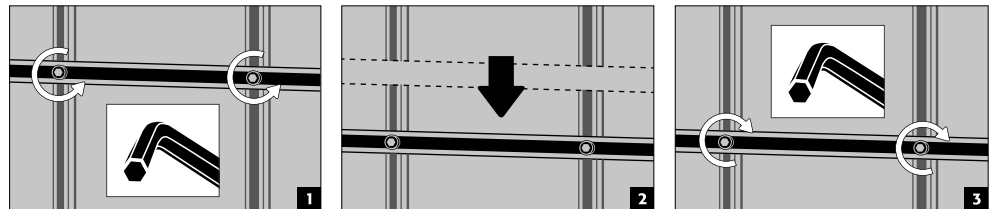
### 5.4. SHELVES (HEIGHT-ADJUSTABLE)



## 6. INTERIOR FITTINGS: G-CLASSIC-30 - G-ULTIMATE-90

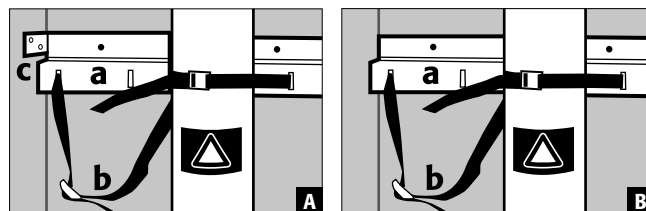
### 6.1. MOUNTING RAILS

• for fittings for pressurised gases, height-adjustable



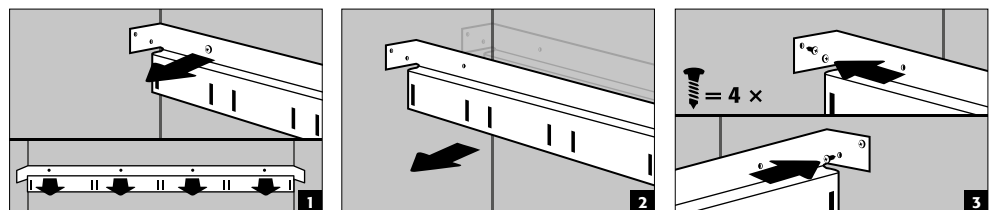
### 6.2. CYLINDER RETAINER

**A** G-ULTIMATE-90  
**B** G-CLASSIC-30



**a** permanently mounted on the rear wall  
**b** tension belts for securing the gas cylinders  
**c** adjustable in depth (G-ULTIMATE-90)

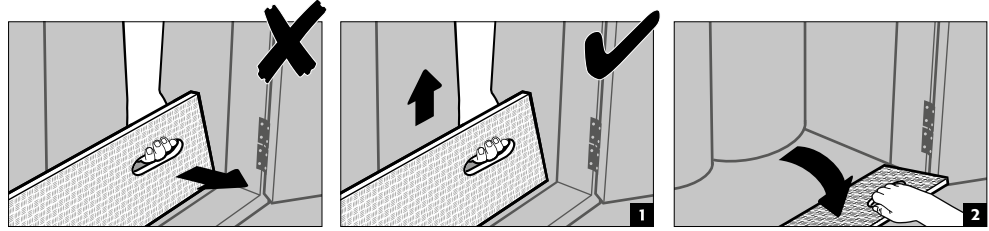
Adjustable in depth with G-ULTIMATE-90



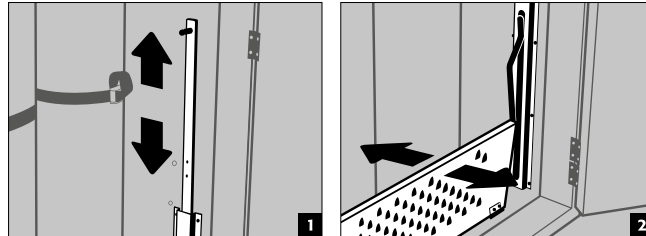
### 6.3. ROLLING RAMP

- latches automatically in the folded condition

STANDARD

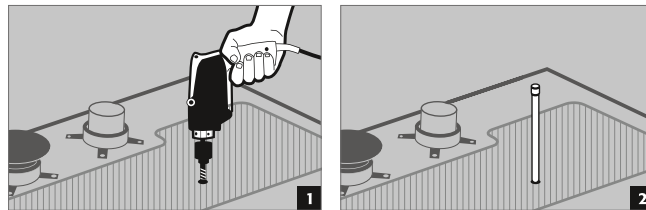
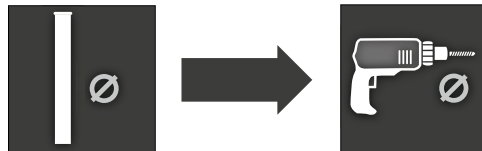


COMFORT



### 6.4. PIPE / CABLE LEADTHROUGH

- prepared on top section



The pipe/cable can now be fed in without further insulation measures.

i



**CAUTION:**

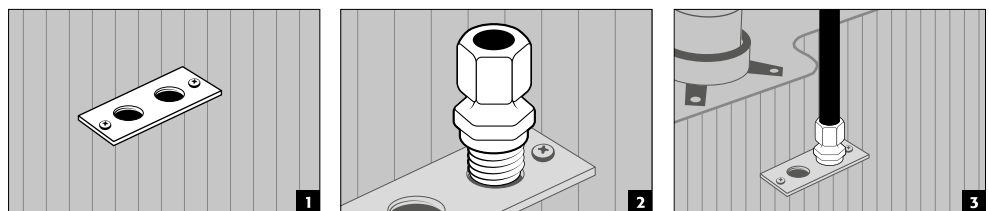
The max. permissible lead-through diameters in accordance with BS EN 14470-2 (10 mm for pipes, 20 mm for cables) are to be observed!

All unused holes in the cabinet wall must be properly sealed with suitable fire protection putty (ROKU 1000, order no. 6520) over the full area and the complete wall thickness.

It is recommendable to manufacture the pipes from rustproof stainless steel or a material with similar conductive properties in order to maintain the fire resistance characteristics established and specified during the test.

### 6.5. ERMETO SCREW CONNECTION

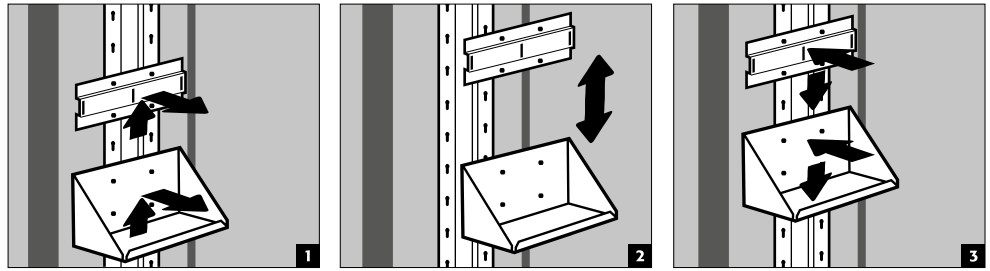
- prepared on top section
- Thanks to the R3/8" internal threads a conventional ermeto screw connection can be mounted in the second step.



## 6.6. OPTIONAL EQUIPMENT: G-CLASSIC-30 • G-ULTIMATE-90

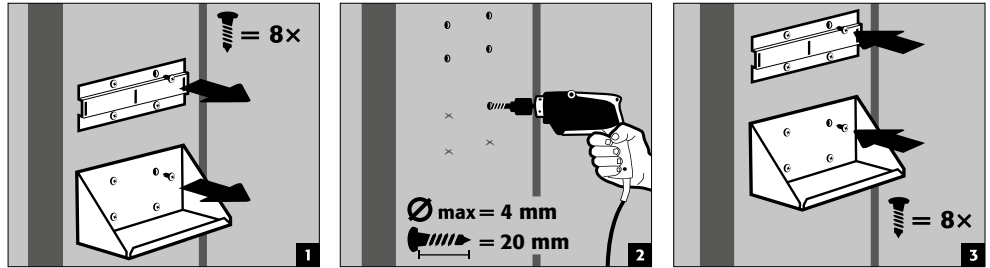
### SIDE CYLINDER RETAINER (adjustable without tools)

- is hooked into a mounting rail and is adjustable in height



### SIDE CYLINDER RETAINER (bolted)

- is adjustable in height and bolted to the side wall



## 7. STORAGE

### S-LINE Q-LINE K-LINE XL-LINE UB-LINE

- Vessels containing aggressive chemicals (acids and alkalis) are to be kept in special cabinets for acids and alkalis or on shelves for acids and alkalis as well as in safety storage cabinets with metal-free interior equipment.
- The storage of corrosive liquids can affect the function of the shut-off equipment for the air supply and exhaust.
- Each container placed inside reduces the minimum containment volume demanded in section 5.1. in relation to the total stored quantity.

### G-CLASSIC-30 G-ULTIMATE-90

- The total volume of the stored gas cylinders must not exceed 210 l + 10 l (purging gas cylinder).



#### Applicable for all models:

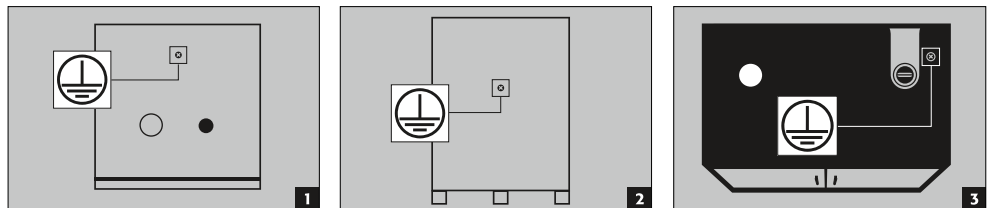
Depending on the type class of the cabinet, observe the respective valid national regulations!

## 8. EARTHING

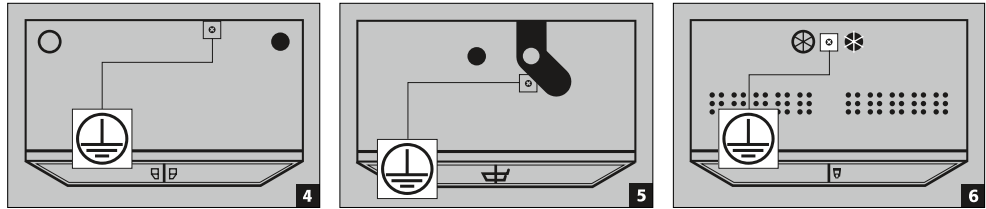


An earth connection may be necessary, depending on the customer-specific use of the safety storage cabinet. The decision regarding this is taken on the basis of a risk analysis by the customer.

### OVERVIEW







- 1 **Rear section:** UB-LINE | K-UB-90
- 2 **Rear section:** XL-LINE
- 3 **Top section:** Q-LINE
- 4 **Top section:** S-LINE 15/30 Minuten | K-LINE
- 5 **Top section:** S-LINE 60/90 Minuten | K-LINE
- 6 **Top section:** G-CLASSIC-30 | G-ULTIMATE-90

The spare parts required for the connection are not part of the scope of supply.

i



#### Earthing when decanting:

**Connection to a potential equalisation system is compulsory in this case.**

Cabinets in which decanting can be performed should additionally be equipped with an earth terminal in the interior (at a surcharge on enquiry) which must be connected to the decanting containers. This is standard with cabinets from the UB-LINE with drawers.

## 9. VENTILATION

### 9.1. GENERAL FACTS

#### NOTICES

**The fire protection valves near the supply and extraction air connections are safety and maintenance-relevant components.**

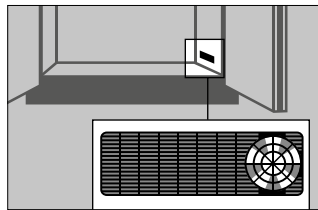
In order to check the correct operation or to replace a defective element, please ensure that flexible connecting hoses or sliding pieces are used to connect to an extraction system in order to ensure simple dismantling and re-mounting of the extraction air connection.

i

- If installed on an exhaust system, a check must be carried out to ensure proper connection to the system (e.g. using a smoke tube)

**Q-CLASSIC-90**  
**Q-PEGASUS-90**

#### Ventilation wheel for technical ventilation



- The ventilation wheel serves as an indicator for correct ventilation.
- If the wheel turns, the necessary 10-fold air recirculation rate is exceeded.

**S-LINE**  
**Q-LINE**  
**K-LINE**  
**XL-LINE**  
**G-LINE**



<01/2014  
**UB-LINE**  
**K-UB-90**



>01/2014  
**UB-LINE**  
**K-UB-90**



## 9.2. S-LINE • Q-LINE • K-LINE • XL-LINE • UB-LINE

- All models can be connected to a technical exhaust system via the exhaust connector. Please see the respectively applicable national regulations for the specified air recirculation rate, maximum pressure losses and exhaust air ducts.



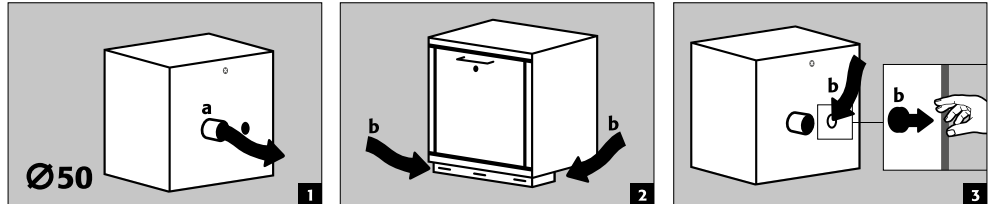
### CAUTION:

In general these models can be operated without technical ventilation. The direct environment of the cabinet can be an explosive zone in this case. If the cabinet is to be operated without an exhaust connection, the user must attach a marking to it. With some models the supply and exhaust connectors are not pre-mounted. They are included with the cabinet and must be screwed to the openings on the top section.

### UB-LINE K-UB-90

ABLUFT (a)  
ZULUFT (b):

- 2 Schrank mit Sockel
- 3 Schrank ohne Sockel



## 9.3. G-CLASSIC-30 • G-ULTIMATE-90

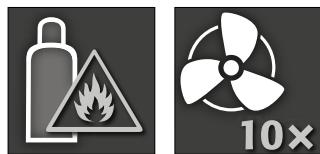


### CAUTION:

In the case of gas cylinder cabinets that are connected to a technical exhaust system, the minimum air recirculation rate must be fulfilled according to BS EN 14470-2.

The ventilation must be permanent in operation and must lead out to a safe place in the open air. The pressure drop of the cabinet must not exceed 150 Pa. The inflow velocity of the air must be at least 20 cm/s.

### Minimum air recirculation rate during storage of:



combustible/oxidising gases

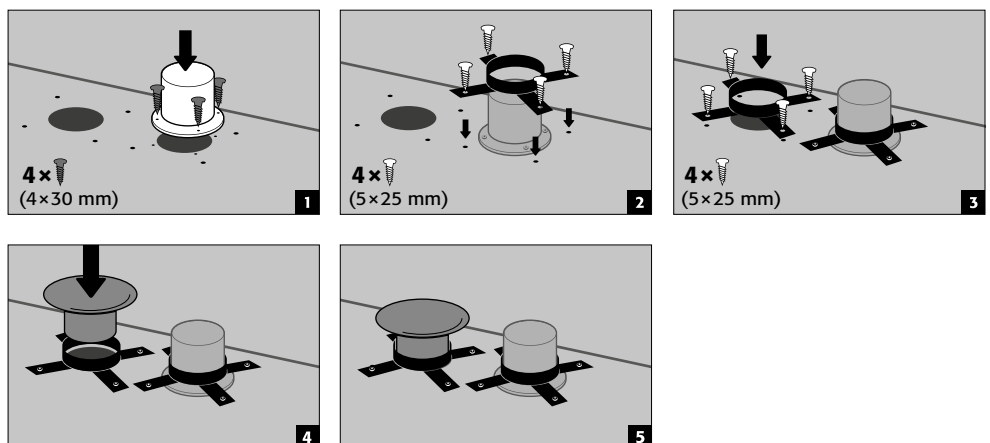


toxic gases

## 9.4. MONTAGE OF FIRE PROTECTION SLEEVE

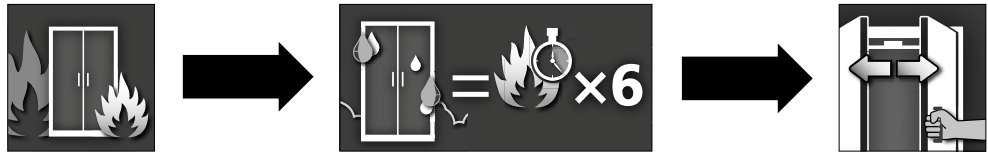
### FOR MODELS:

G90.205.140  
G90.205.120  
G30.205.140  
G30.205.120



# 10. FIRE - DISPOSAL

## 10.1. OPENING THE CABINET AFTER THE FIRE



**CAUTION:**

Depending upon the duration of the fire an ignitable vapour/air mixture may have formed; therefore remove all sources of ignition within a 10 metre radius of the cabinet before opening it.

- use only spark-free tools
- open the cabinets with extreme caution

**10.2. DISPOSAL**



The models can be disposed of once they have been dismantled and the materials sorted. They are free from materials that have to be disposed of as special waste.

**11. SAFETY CHECKS**

As safety equipment the cabinets have to be checked for safety at least once per year. The next checking date can be taken from the check sticker on the outside of the door. This annual check can be carried out with the necessary care, and for securing your warranty claims in the case of fire, only by an authorised asecos employee (refer also to our service brochure regarding this).

**In addition, we recommend that you carry out a daily and monthly functional check:**

**Daily functional check**

- applies to the spill containment sumps (collect and remove any leakages)

**monthly functional check**

- perfect function of the doors:
  - hinges
  - locking system
  - door closer
  - door open arrest system
- correct seating and condition of the fire protection seals

In case of damage please contact your dealer in order to have the cabinet repaired using original spare parts. The cabinets can be cleaned with a mild household cleaner and a soft cloth.

**CONTACT:**

In the case of defects or complaints about our products (within and also after the warranty period), and for requesting safety checks or taking out a service contract, please contact our service hotline on:

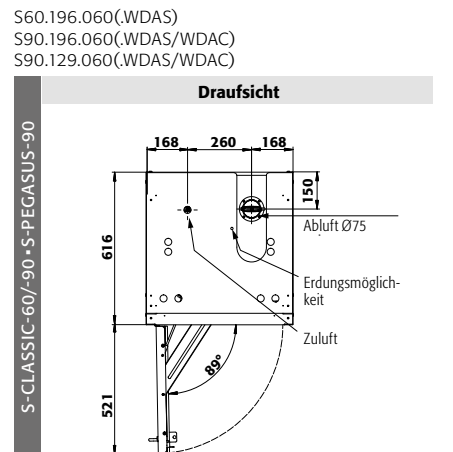
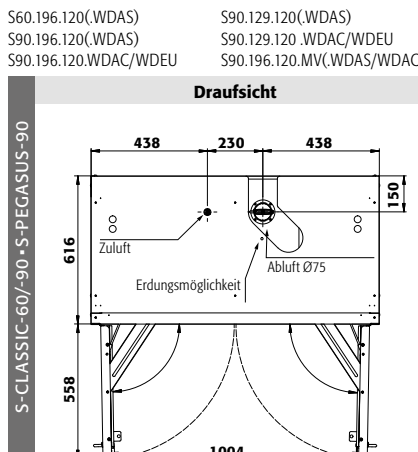
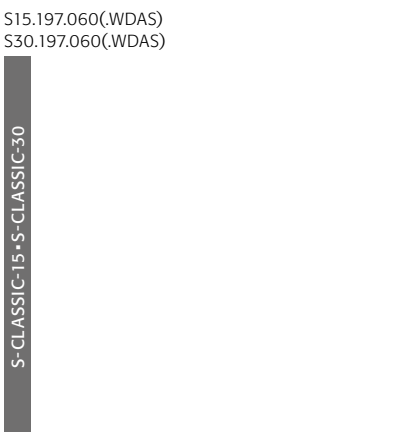
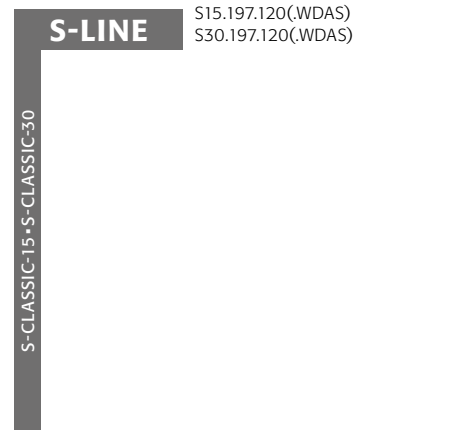
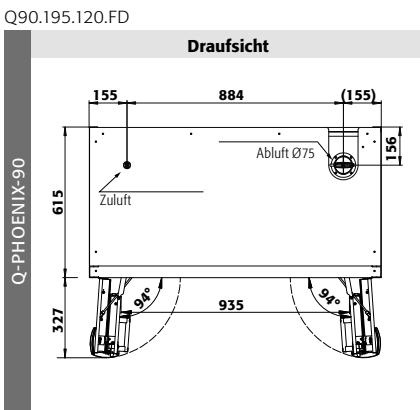
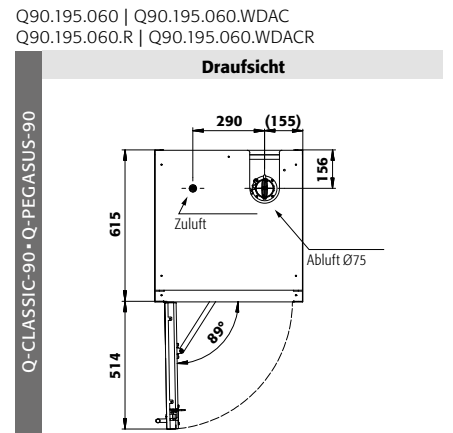
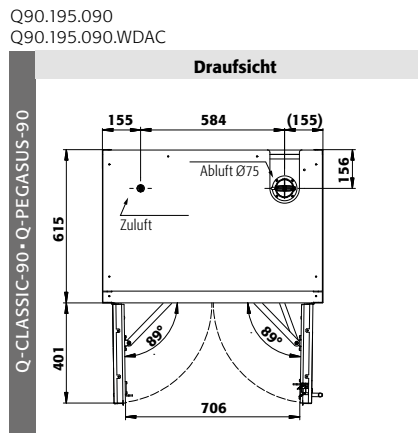
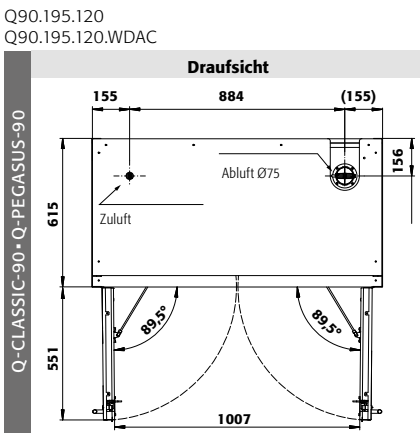
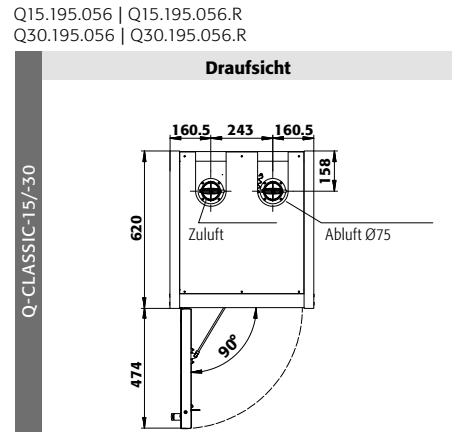
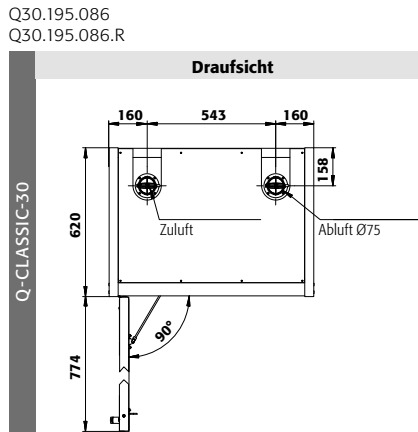
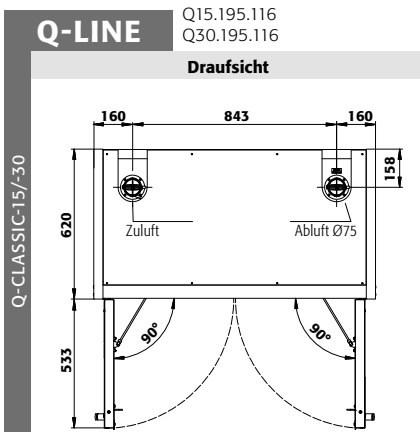
**Tel: +44 1785 22 70-90**

**info@asecos.co.uk**

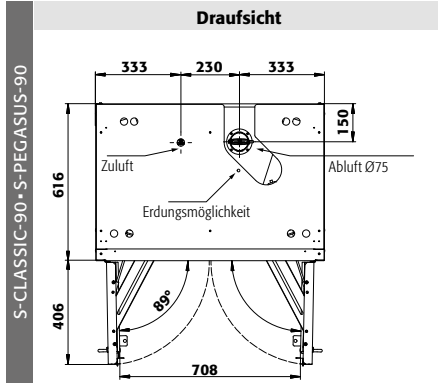




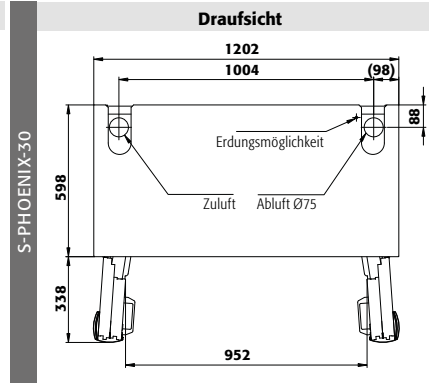
# ANHANG 1: DRAUFSICHTEN



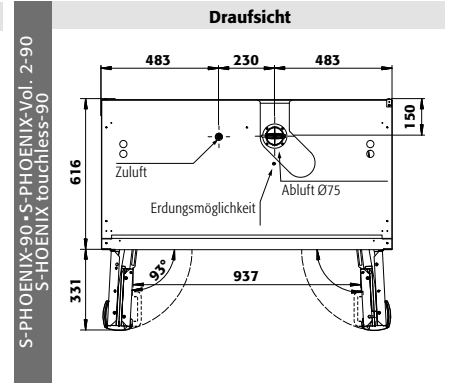
S90.196.090.(WDAS/WDAC/WDEU)



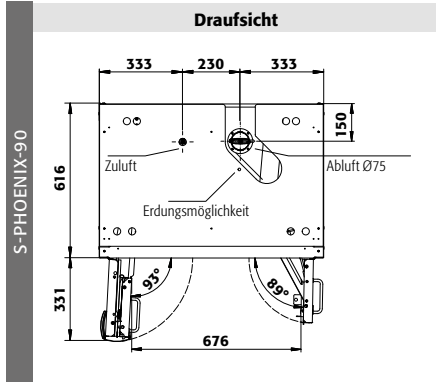
S30.197.120.FDAS



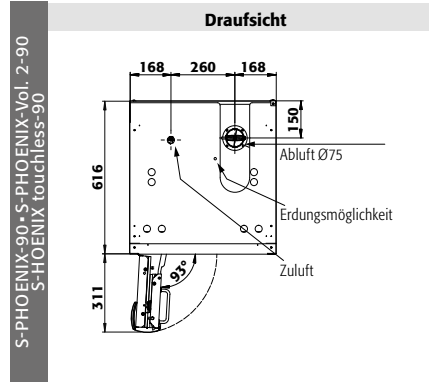
S90.196.120.FDAS(FDEU/FDAC/FDAO)  
S90.196.120.MV.FDAS(FDAC)



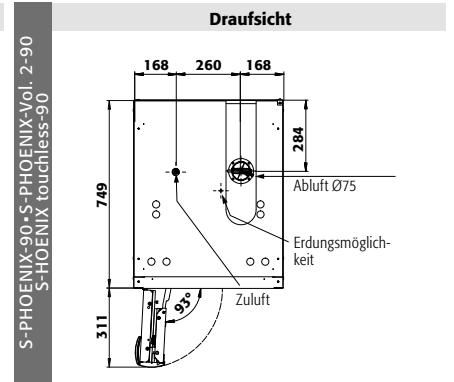
S90.196.090.FDAS



S90.196.060.FDAS(FDAC/FDAO)

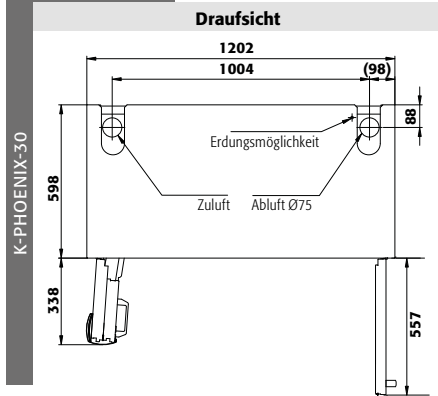


S90.196.060.075.FDAS(FDAC/FDAO)

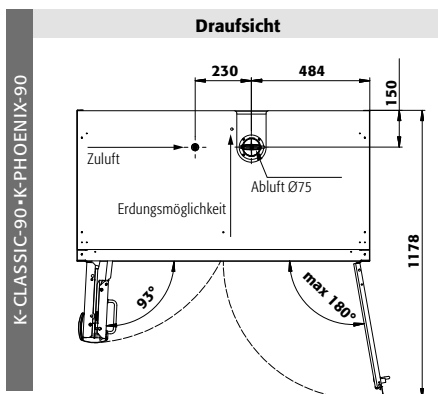


**K-LINE**

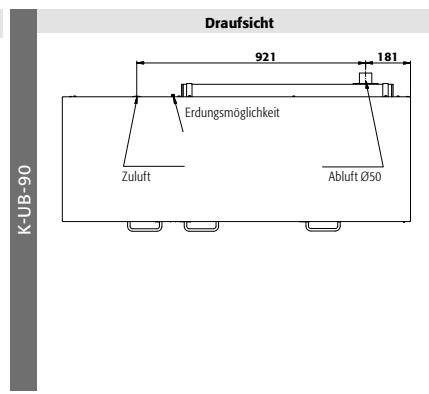
K30.197.120.MV.FWAS  
K30.197.120.MC.FWAS



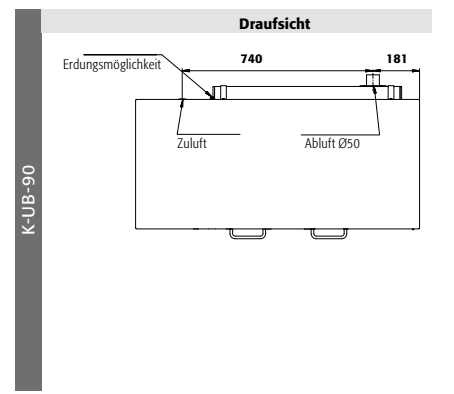
K90.196.120.MF.FWAS | K90.196.120.MC.FWAS  
K90.196.MF.FWAC | K90.196.120.MC.FWDAC)



K90.060.140.050.UB.ST  
K90.060.140.050.UB.3T



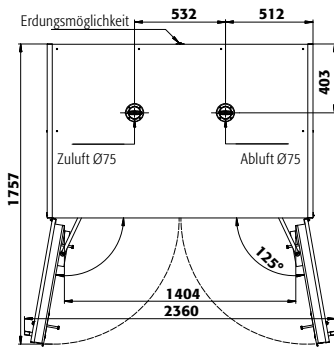
K90.060.110.050.UB.ST  
K90.060.110.050.UB.2T



# XL-LINE

XL90.222.155.WDAS

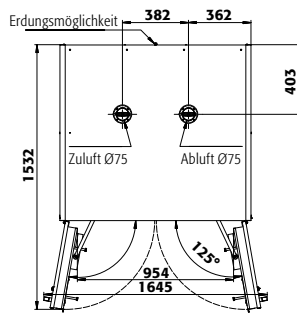
## Draufsicht



XL-CLASSIC-90

XL90.222.110.WDAS

## Draufsicht



XL-CLASSIC-90

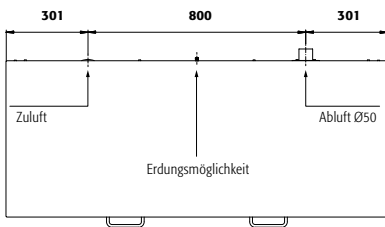
UB30.060.140.2S  
UB90.060.140.2S  
UB90.060.050.140.2S  
UB90.060.140.S2T  
UB90.060.050.140.S2T

UB30.060.110.2T | UB30.060.110.2TAS  
UB30.060.110.2S | UB30.060.110.S  
UB90.060.110.S | UB90.060.110.050.S

UB90.060.110.2S | UB90.060.110.050.2S  
UB90.060.110.2T | UB90.060.110.050.2T  
UB90.060.110.ST | UB90.060.110.050.ST  
UB90.080.110.060.2S

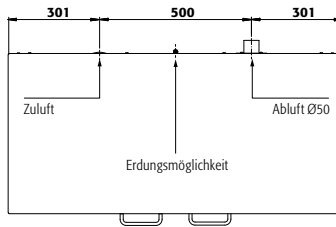
# UB-LINE

## Draufsicht



UB-S-30-UB-S-90-UB-ST-90

## Draufsicht



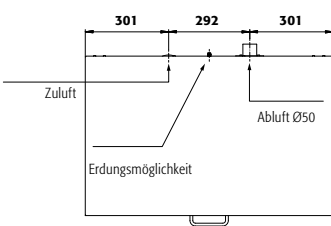
UB-S-30-UB-T-30-UB-ST-90

UB90.060.059.T | UB90.060.059.TR  
UB90.060.059.050.T | UB90.060.059.050.TR  
UB90.060.059.S | UB90.060.059.050.S  
UB90.080.059.060.S | UB90.080.059.060.T |  
UB90.080.059.060.TR

UB90.060.089.S | UB90.060.089.050.S  
UB90.060.089.2T | UB90.060.089.050.2T

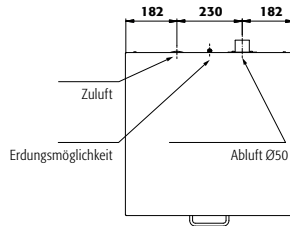
UB90.080.110.075.2T

## Draufsicht



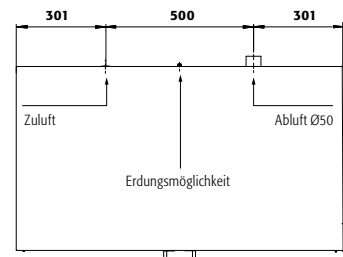
UB-S-90-UB-ST-90

## Draufsicht



UB-S-90-UB-ST-90

## Draufsicht

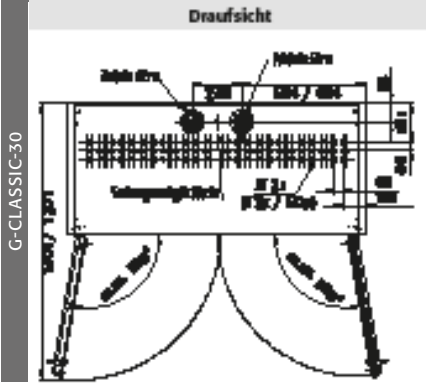


UB-T-90

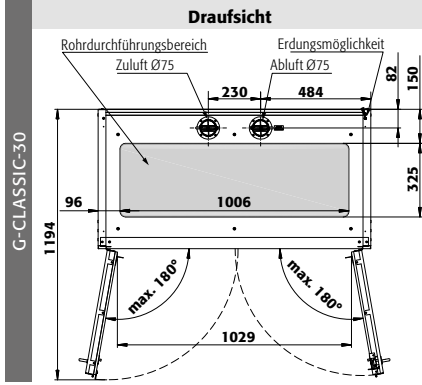
1

**G-LINE**

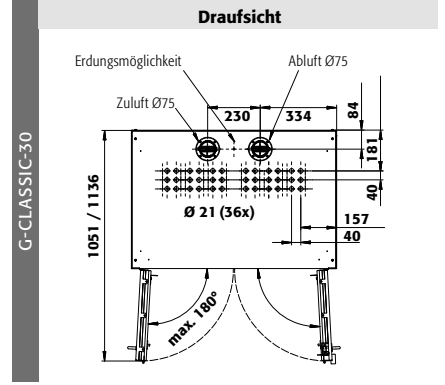
G30.205.140



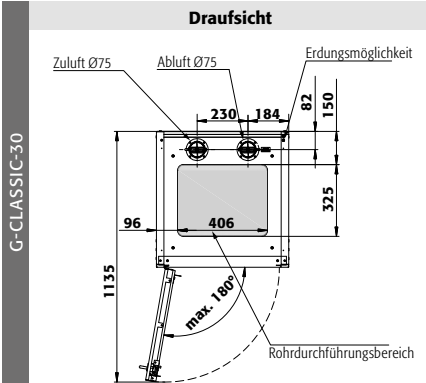
G30.205.120



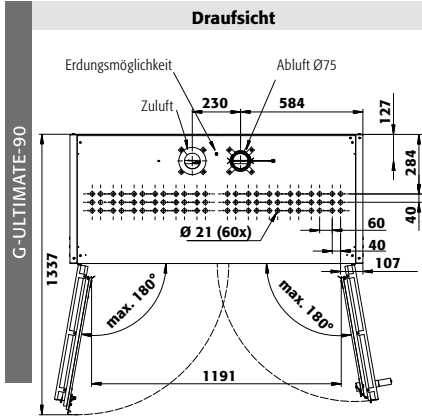
G30.205.090



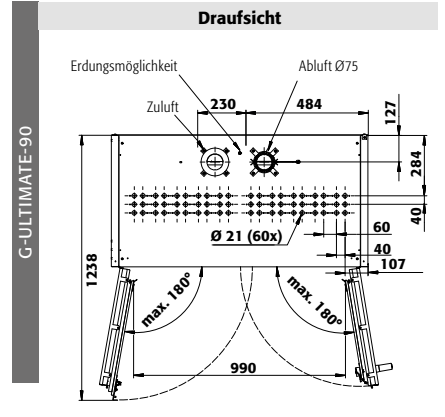
G30.205.060 | G30.205.060.R



G90.205.140

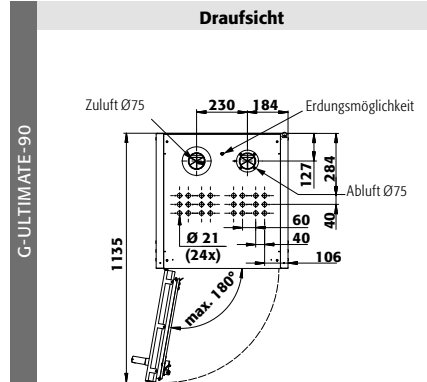
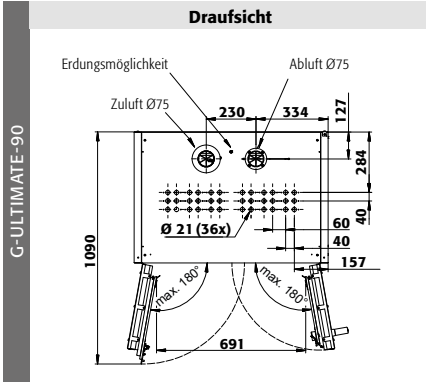


G90.205.120



G90.205.060 | G90.205.060.R  
G90.205.060.2F | G90.205.060.2F.R  
G90.145.060 | G90.145.060.R

G90.205.090





## ANHANG 2: TECHNISCHE DATEN












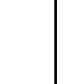
Legende für Tabelle „Technische Daten“  
Key for “Technical data” table  
Legende voor tabel „Technische gegevens”

Légende du tableau « Caractéristiques techniques »  
Leyenda de la tabla “Datos técnicos”  
Legenda per tabella “Dati tecnici”  
Legenda para a tabela “Dados técnicos”

	DE	EN	NL	FR	ES	IT	PT
 (mm)	Abmessungen	Dimensions	Afmetingen	Dimensions	Dimensiones	Dimensioni	Dimensões
 min.	Typklasse	Type-Classification	Typeklasse	Type de classe	Clase tipo	Classe del tipo	Tipo de classe
 (kg)	Leergewicht gesamt	Net Weight	Leeggewicht totaal	Poids total à vide	Peso en vacío total	Peso a vuoto completo	Peso total em vazio
 (kg)	Max. Belastung	max. Load Cabinet	max. belading	Chargement max.	Carga máx	Carico max.	Carga máx.
 (kg/ m <sup>2</sup> )	Flächenlast	Area Load	Oppervlaktebelasting	Charge superficielle	Carga superficial	Carico specifico	Carga da superfície
 (kg)	Max. Belastung Fachboden	max. Load Shelf	max. belasting opvanglegbord	Charge max. d'étagère	Carga máx. bandeja	Carico max. ripiano fisso	Carga máx. da prateleira
 (kg)	Max. Belastung Auszug	max. Load Drawer	max. belasting schuiflade	Charge max. de tiroir	Carga máx. cajón	Carico max. cassetto	Carga máx. do extrato
 (l)	Auffangvolumen Bodenauffangwanne und Auszug	Capacity Bottom collecting sump and Drawer	Opvangcapaciteit bodemopvangbak en schuiflade	Volume de rétention de bac de rétention au sol et tiroir	Volumen de recogida del cubeto de retención y del cajón	Volume di raccolta vasca di raccolta sul fondo e cassetto	Volume de recolha da bacia de retenção inferior e extrato
 (l)	Max. Gebindegröße Bodenauffangwanne und Auszug	max. container size bottom collecting sump and drawer	max. containergrootte bodemopvangbak en schuiflade	Taille max. de récipient pour bac de rétention au sol et tiroir	Tamaño máx. de envase cubeto de retención y cajón	Grandezza max. del recipiente vasca di raccolta sul fondo e cassetto	Tamanho máx. do bidão da bacia de retenção inferior e extrato
 (m <sup>3</sup> /h, Pa)	Volumen und Druckverlust bei 10fachen Luftwechsel	Air flow and Pressure Loss at 10times Air change	volumen en drukverlies bij 10-voudige luchtversing	volume et perte de pression avec un taux de renouvellement de l'air de 10	Volumen y caída de presión con renovación de aire de 10 veces	Volume e perdita di pressione con decuplo cambio dell'aria	Volume e perda de pressão até 10 vezes a renovação de ar
 (m <sup>3</sup> /h, Pa)	Volumen und Druckverlust bei 120fachen Luftwechsel	Air flow and Pressure Loss at 120times Air change	volumen en drukverlies bij 120-voudige luchtversing	volume et perte de pression avec un taux de renouvellement de l'air de 120	Volumen y caída de presión con renovación de aire de 120 veces	Volume e perdita di pressione con centoventesimo cambio dell'aria	Volume e perda de pressão até 120 vezes a renovação de ar
 EN 14470-1	Sicherheitsschränke EN 14470-1	Safety storage cabinets EN 14470-1	Veiligheidskasten EN 14470-1	Armoires de sécurité EN 14470-1	Armarios de seguridad EN 14470-1	Armadi di sicurezza EN 14470-1	Armários de segurança EN 14470-1
 EN 14470-1	Kombischränke Säuren und Laugen/ EN 14470-1	Combined cabinets acids and alkalis/ EN 14470-1	Combinatiekasten zuren en logen/ EN 14470-1	Armoires combinées	Armarios combinados	Armadi combinati	Armários combinados para ácidos e lixívias
 EN 14470-2	Sicherheitsschränke EN 14470-2	Safety storage cabinets EN 14470-2	Veiligheidskasten EN 14470-2	Armoires de sécurité EN 14470-2	Armarios de seguridad EN 14470-2	Armadi di sicurezza EN 14470-2	Armários de segurança EN 14470-2



				Int.			min.	Kg	
	X	Y	Z	X	Y	Z			
Q15.195.116 ■ Q30.195.116	1164	620	1947	1050	519	1626	15/30	240	
Q30.195.086(R)	864	620	1947	750	519	1626	30	195	
Q15.195.056(R) ■ Q30.195.056(R)	565	620	1947	450	519	1626	15/30	146	
Q90.195.120(WDAC)	1200	615	1955	1050	522	1645	90	424	
Q90.195.090(WDAC)	900	615	1955	750	522	1645	90	343	
Q90.195.060(WDAC) ■ Q90.195.060.R(WDACR)	600	615	1955	450	522	1645	90	265	
Q90.195.120.FD	1200	615	1955	1050	522	1645	90	424	
S15.197.120(WDAS) ■ S30.197.120(WDAS)	1200	600	1970	1130	505	1650	15/30	280	
S60.196.120(WDAS) ■ S90.196.120(WDAS/WDAC/WDEU)	1200	615	1968	1050	520	1740	60/90	420	
S90.129.120(WDAS/WDAC/WDEU)	1200	615	1298	1050	520	1070	60/90	270	
S90.196.090(WDAS/WDAC/WDEU)	900	615	1968	750	520	1740	60/90	310	
S15.197.060(WDAS) ■ S30.197.060(WDAS)	600	600	1970	530	520	1650	15/30	200	
S15.197.060.R(WDASR) ■ S30.197.060.R(WDASR)	600	615	1968	450	505	1740	60/90	260	
S60.196.060(WDAS) ■ S60.196.060.R(WDASR)	600	615	1968	450	505	1740	60/90	260	
S90.196.060(WDAS/WDAC) ■ S60.196.060.R(WDASR/WDACR)	600	615	1968	450	505	1740	60/90	260	
S90.129.060(WDAS/WDAC) ■ S90.129.060.R(WDASR/WDACR)	600	615	1298	450	520	1070	60/90	170	
S30.197.120.FDAS	1200	600	1970	1130	505	1650	30	280	
S90.196.120.MV.WDAC(WDAS/FDAC/FDAS)	1200	615	1968	1050	520	1740	90	420	
S90.196.120.FDAS(FDEU/FDAC/FDAO)	1200	615	1968	1050	520	1740	90	420	
S30.197.060.FDAS(R)	600	600	1970	530	505	1650	30	200	
S90.196.060.FDAS(FDAC/FDAO) ■ S90.196.060.FDASR(FDACR)	600	615	1968	450	520	1740	90	260	
S90.196.060.075.FDAS(FDAC/FDAO) ■ S90.196.060.075.FDASR(FDACR)	600	615	1968	450	520	1740	90	310	
S90.196.090.FWAS	900	615	1968	750	520	1740	90	310	
XL90.222.155.WDAS	1105	1015	2225	935	850	2030	90	855	
XL90.222.110.WDAS	1555	1015	2225	1385	850	2030	90	1150	
UB30.060.110.2S	1100	550	600	980	455	510	30	120	
UB30.060.110.S	1100	550	600	980	455	510	30	120	
UB30.060.110.2T	1100	550	600	980	455	510	30	120	
UB30.060.140.2S	1400	550	600	1280	455	510	30	145	
UB90.060.059.S	592	570	600	470	450	500	90	120	
UB90.060.059.T(R)	592	570	600	470	450	500	90	120	
UB90.060.089.S	892	570	600	770	450	500	90	140	
UB90.060.089.2T	892	570	600	770	450	500	90	140	
UB90.060.110.2S	1102	570	600	980	450	500	90	180	
UB90.060.110.ST	1102	570	600	980	450	500	90	180	
UB90.060.110.S	1102	570	600	980	450	500	90	180	
UB90.060.110.2T	1102	570	600	980	450	500	90	180	
UB90.060.140.2S	1402	570	600	1280	450	500	90	230	
UB90.060.140.S2T	1402	570	600	1280	450	500	90	225	
UB90.060.059.050.S	592	500	600	470	380	500	90	110	
UB90.060.059.050.T(R)	592	500	600	470	380	500	90	110	
UB90.060.089.050.S	892	500	600	770	380	500	90	125	
UB90.060.089.050.2T	892	500	600	770	380	500	90	125	
UB90.060.110.050.2S	1102	500	600	980	380	500	90	160	
UB90.060.110.050.ST	1102	500	600	980	380	500	90	160	
UB90.060.110.050.S	1102	500	600	980	380	500	90	160	
UB90.060.110.050.2T	1102	500	600	980	380	500	90	160	
UB90.060.140.050.2S	1402	500	600	1280	380	500	90	205	
UB90.060.140.050.S2T	1402	500	600	1280	380	500	90	205	
UB90.080.110.075.2T	1102	750	800	980	625	690	90	200	
UB90.080.059.060.S	592	570	800	470	479	701	90	143	
UB90.080.059.060.T(R)	592	570	800	470	479	701	90	143	
UB90.080.110.060.2S	1102	570	800	980	479	701	90	233	

												
									m³/h	Δp <sub>ges</sub> (EK5/AK4 09-10)	m³/h	Δp <sub>ges</sub> (EK5/AK4 09-10)
600	445	75	60	33	29	30	26	8,9	<10	—	—	
600	568	75	60	25	19	22,73	20	6,3	<10	—	—	
600	816	75	25	22	4,5	20	4	3,8	<10	—	—	
600	528	75	60	33	29	30	26	9,0	<5	—	—	
600	649	75	60	25	19	22,73	20	6,4	<5	—	—	
600	893	75	25	22	4,5	20	4	3,9	<5	—	—	
600	528	75	60	33	29	30	26	9,0	<5	—	—	
600	458	75	—	60	—	54,55	—	9,4	3	—	—	
600	526	75	60	33	29	30	26	9,5	<5	—	—	
600	449	75	60	33	29	30	26	5,8	<5	—	—	
600	626	75	60	25	19	22,73	20	6,8	<5	—	—	
600	833	75	—	27	—	24,55	—	4,4	2	—	—	
600	888	75	25	22	4,5	20	4	4,1	<5	—	—	
600	795	75	25	22	4,5	20	4	2,5	<5	—	—	
600	833	75	—	60	—	54,55	—	9,4	3	—	—	
600	526	75	25	22	4,5	20	4	9,5	<5	—	—	
600	526	75	60	33	29	30	26	9,5	<5	—	—	
600	833	75	—	27	—	24,55	—	4,4	2	—	—	
600	888	75	25	22	4,5	20	4	4,1	<5	—	—	
600	888	75	25	—	6	—	5	5,1	<5	—	—	
600	626	75	60	25	19	22,73	20	6,8	<5	—	—	
1000	686	75	—	235	—	213,64	—	23,9	<15	—	—	
1000	833	75	—	230	—	209,09	—	16,1	<15	—	—	
300	246	—	2×50	—	2×8	—	7	2,1	<1	—	—	
300	246	—	50	—	17,5	—	16	2,2	<1	—	—	
300	246	30	—	25	—	22	—	2,2	<1	—	—	
300	205	—	50	13,5	8	12	7	2,8	<1	—	—	
300	452	—	50	—	8	—	10	1,1	—	—	—	
300	452	30	—	13,5	—	12,27	—	1,1	<1	—	—	
300	314	—	50	—	13,5	—	18	1,7	<1	—	—	
300	314	30	—	20	—	18,8	—	1,7	<1	—	—	
300	277	—	50+50	—	2×10	—	7	2,2	<1	—	—	
300	277	30	50	13,5	8	12,27	10	2,2	<1	—	—	
300	277	—	50	—	17,5	—	24	2,2	<1	—	—	
300	277	30	—	25,5	—	23,18	—	2,2	<1	—	—	
300	241	—	50+50	—	13,5+8	—	18+10	2,8	<1	—	—	
300	241	30	50	20	8	18,18	10	2,8	<1	—	—	
300	462	—	50	—	7	—	9	0,9	<1	—	—	
300	462	30	—	i1	—	10	—	0,9	<1	—	—	
300	318	—	50	—	11	—	16	1,5	<1	—	—	
300	318	30	—	17	—	15,45	—	1,5	<1	—	—	
300	278	—	50+50	—	7	—	9+9	1,9	<1	—	—	
300	278	30	50	11	7	10	9	1,9	<1	—	—	
300	278	—	50	—	14,5	—	20	1,9	<1	—	—	
300	278	30	—	22	—	20	—	1,9	<1	—	—	
300	240	—	50+50	—	11+7	—	16+9	2,4	<1	—	—	
300	240	30	50	17	7	15,45	9	2,4	<1	—	—	
300	260	30	60	36	33	32,72	30	4,2	<1	—	—	
300	475	—	50	—	25	—	10	1,6	<1	—	—	
300	475	30	—	13,5	—	12,27	—	1,6	<1	—	—	
300	307	—	50	—	25	—	24	3,3	<1	—	—	



		X	Y	Z	X	Y	Z			
K30.197.120.MV.FWAS	VBF SL	1200	615	1968	476	520	1691	30	330	
					486	520	824/848			
K30.197.120.MC.FWAS	VBF SL	1200	615	1968	476	522	1301	30	335	
					486	542	824/848			
K90.196.120.MF.FWAS(FWAC)	VBF SL	1200	615	1968	450	522	1742	90	515	
					491	542	2x861			
K90.196.120.MC.FWAS(FWAC)	VBF SL	1200	615	1968	450	522	1338	90	520	
					491	542	2x861			
K90.196.120.MV.WDAS(FDAS)	VBF SL	1200	615	1968	450	524	1742	90	482	
					450	524	1742			
K90.196.060.MH.WDAS(FDAS)	VBF SL	600	615	1968	450	524	877	90	260	
					450	524	846			
K90.060.140.050.UB.ST	VBF SL	1400	500	600	770	380	500	90	197	
					440	470	540			
K90.060.140.050.UB.3T	VBF SL	1400	500	600	770	380	500	90	197	
					440	470	540			
K90.060.110.050.UB.ST	VBF SL	1100	500	600	470	380	500	90	155	
					440	470	540			
K90.060.110.050.UB.2T	VBF SL	1100	500	600	470	380	500	90	155	
					440	470	540			
G30.205.140		1400	615	2050	1295	480	1890	G30	545	
G30.205.120		1200	615	2050	1095	480	1890	G30	485	
G30.205.090		900	615	2050	795	480	1858	G30	340	
G30.205.060(.R)		600	615	2050	495	480	1890	G30	290	
G90.205.140		1400	615	2050	1245	400	1858	G90	690	
G90.205.120		1200	615	2050	1045	400	1858	G90	610	
G90.205.090		900	615	2050	745	425	1858	G90	490	
G90.205.060(.R)		600	615	2050	446	425	1858	G90	365	
G90.205.060.2F(.R)		600	615	2050	477	425	1858	G90	365	
G90.145.060(.R)		600	615	1450	446	425	1246	G90	278	

\* Die Flächenlast ergibt sich aus dem Gesamtgewicht des Schrankes (Leerschrank plus Beladung) geteilt durch dessen Einzugsfläche. Diese berechnet sich aus der Breite des Schrankes multipliziert mit der Tiefe (Summe aus Tiefe des Schrankes und 1000mm Aktionsraum davor).

#### BEISPIEL Q90.195.120:

Schrankgewicht: 424 kg  
 Beladung: 600 kg  
 Einzugsfläche: 1200 mm × (615+1000) mm  
 Berechnung:  $\frac{424+600 \text{ kg}}{1,2 \text{ m} \times 1,65 \text{ m}} = \frac{1024 \text{ kg}}{1,938 \text{ m}^2} = 529 \text{ kg/m}^2$

\* The surface load is given by the total weight of the cabinet (empty cabinet including load) divided by its working area. This is calculated from the width of the cabinet multiplied by the depth (sum of depth of the cabinet and 1000 mm of traffic area in front of it).

#### EXAMPLE Q90.195.120:

Cabinet weight: 424 kg  
 Load: 600 kg  
 Working area: 1200 mm × (615+1000) mm  
 Calculation:  $\frac{424+600 \text{ kg}}{1,2 \text{ m} \times 1,65 \text{ m}} = \frac{1024 \text{ kg}}{1,938 \text{ m}^2} = 529 \text{ kg/m}^2$

\* De oppervlaktebelasting wordt berekend aan de hand van het totale gewicht van de kast (lege kast inclusief belading), gedeeld door het gebruiksoppervlak ervan. Dit wordt berekend uit de breedte van de kast maal de diepte (som van de diepte van de kast en 1000 mm verkeersoppervlak ervoor).






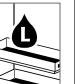




#### VOORBEELD Q90.195.120:

Kastgewicht: 424 kg  
 Belading: 600 kg  
 Gebruiksoppervlak: 1200 mm × (615+1000) mm  
 Berekening:  $\frac{424+600 \text{ kg}}{1,2 \text{ m} \times 1,65 \text{ m}} = \frac{1024 \text{ kg}}{1,938 \text{ m}^2} = 529 \text{ kg/m}^2$

\* La charge superficielle se calcule à partir du poids total de l'armoire (l'armoire vide et son contenu) divisé par sa surface utile. Cette dernière est le produit de la largeur de l'armoire multipliée par sa profondeur (somme de la profondeur de l'armoire et de la zone de circulation de 1.000 mm devant cette dernière).

#### EXEMPLE Q90.195.120:

Poids de l'armoire : 424 kg  
 Chargement : 600 kg  
 Surface utile : 1200 mm × (615+1000) mm  
 Calcul :  $\frac{424+600 \text{ kg}}{1,2 \text{ m} \times 1,65 \text{ m}} = \frac{1024 \text{ kg}}{1,938 \text{ m}^2} = 529 \text{ kg/m}^2$

											
									m³/h $\Delta p_{ges}$ (EK5/AK4 09-10)	m³/h $\Delta p_{ges}$ (EK5/AK4 09-10)	
600	480	75	25	27	—	24,55	4	4,3	<5	—	—
		—	25	—	16,5	—	15				
600	482	75	—	27	—	24,55	—	3,4	<5	—	—
		—	25	—	16,5	—	15				
600	575	75	25	22	4,5	20	4	4,6	<5	—	—
		—	25	—	16,5	—	15				
600	578	75	25	22	4,5	20	4	3,6	<5	—	—
		—	25	—	16,5	—	15				
600	558	75	25	22	4,5	20	4	4,1	<5	—	—
		75	—	13	—	11,82	—				
600	888	75	25	22	4,5	20	4	2,1	<5	—	—
		75	—	13	—	11,82	—				
300	237	—	50	—	—	—	16	1,0	<5	—	—
		—	25	—	—	—	10				
300	237	30	—	17	—	15,45	—	1,0	<5	—	—
		—	25	—	—	—	10				
300	276	30	50	—	—	—	9	1,0	<5	—	—
		—	25	—	—	—	10				
300	276	30	—	13,5	—	12,27	—	1,0	<5	—	—
		—	25	—	—	—	10				
600	506	75	—	—	—	—	—	—	—	141	148
600	560	75	—	—	—	—	—	—	—	119,2	121
600	647	75	—	—	—	—	—	—	—	85,1	65
600	918	75	—	—	—	—	—	—	—	53,9	25
600	571	75	—	—	—	—	—	—	—	111	143
600	624	75	—	—	—	—	—	—	—	93,2	103
600	750	75	—	—	—	—	—	—	—	70,6	147
600	996	75	—	—	—	—	—	—	—	42,3	85
600	996	75	—	—	—	—	—	—	—	45,2	76
600	906	75	—	—	—	—	—	—	—	28,3	42

\* La carga superficial resulta del peso total del armario (armario vacío inclusive carga) dividido entre su superficie de ocupación. Esta se calcula a partir de la anchura del armario, multiplicada por la profundidad (suma de la profundidad del armario y 1000 mm de superficie transitable delante).

#### EJEMPLO Q90.195.120:

Peso del armario: 424 kg

Carga: 600 kg

Superficie de ocupación: 1200 mm × (615+1000) mm

Cálculo:  $\frac{424+600 \text{ kg}}{1,2 \text{ m} \times 1,65 \text{ m}} = \frac{1024 \text{ kg}}{1,938 \text{ m}^2} = 529 \text{ kg/m}^2$

\* A carga de superfície resulta do peso total do armário (armário vazio incluindo carga) dividida pelas áreas de aplicação. Isto calcula-se através da largura do armário multiplicando pela profundidade (soma da profundidade do armário e 1000 mm da área de exercício).

#### EXEMPLO Q90.195.120:

Peso do armário: 424 kg

Carga: 600 kg

Área de aplicação: 1200 mm × (615+1000) mm

Cálculo:  $\frac{424+600 \text{ kg}}{1,2 \text{ m} \times 1,65 \text{ m}} = \frac{1024 \text{ kg}}{1,938 \text{ m}^2} = 529 \text{ kg/m}^2$

\* Il peso specifico si ottiene dal peso totale dell'armadio (armadio vuoto, carico compreso) diviso per la sua superficie utile. Questa si calcola moltiplicando la larghezza dell'armadio per la profondità (somma della profondità dell'armadio e di 1000 mm di superficie di transito davanti)

#### ESEMPIO Q90.195.120:

Peso armadio: 424 kg

Carico: 600 kg

Superficie utile: 1200 mm × (615+1000) mm

Calcolo:  $\frac{424+600 \text{ kg}}{1,2 \text{ m} \times 1,65 \text{ m}} = \frac{1024 \text{ kg}}{1,938 \text{ m}^2} = 529 \text{ kg/m}^2$





asecos GmbH  
Abt. Kundendienst  
Weiherfeldsiedlung 16-18  
D-63584 Gründau

Fax: +49 60 51 – 92 20-10

**[www.asecos.com](http://www.asecos.com)**

Ihr Fachhändler:

Your partner:

Uw partner:

Votre partenaire :

Su distribuidor:

su richiesta: